

***Zennio***<sup>®</sup>

Residential, Commercial and Hotel Automation Solutions

# Index

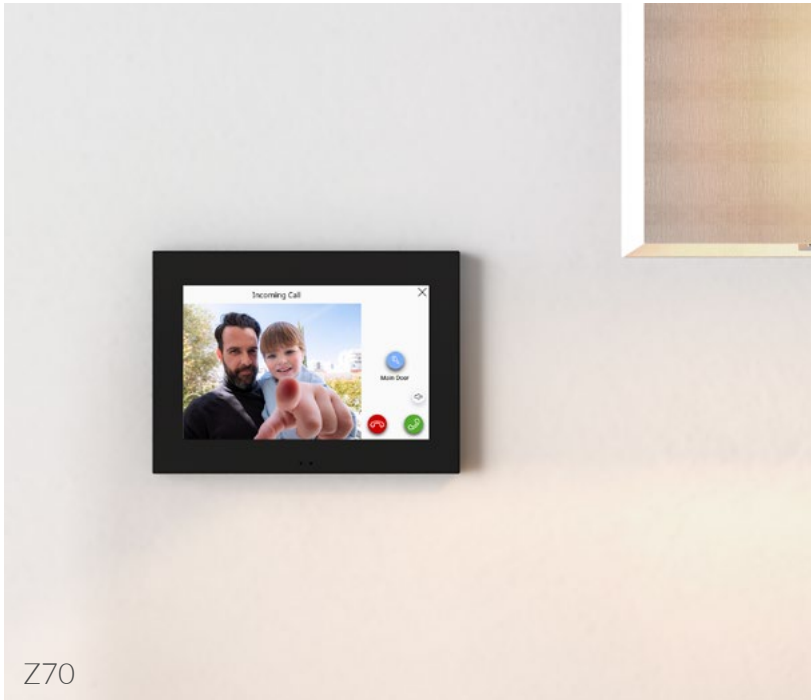
Z100 - Z70 - Z50 - Z41	04
Z40 - Z35 - Z28	28
Flat	40
Tecla	60
Presentia W	72
Switches & Sockets ZS55	78
Video Intercom GetFace IP	104
Access Control	118
Actuators	134



Z50



Z100



Z70



Z41

# Touch Panels

Z100 - Z70 - Z50 - Z41

We introduce you to Zennio's Z's...

...who have everything you could expect from the most advanced touch screens in the market, starting with a demanding list of requirements:

- Full control of any installation with end user flexibility to program their own scenes, sequences using macros, timers for screen controls...
- Smartphone control with the same interface as the touch panel to make control easier and more intuitive
- Video intercom remote answering and opening so you really have full control of your installation
- Voice control: everything at reach without leaving the sofa!

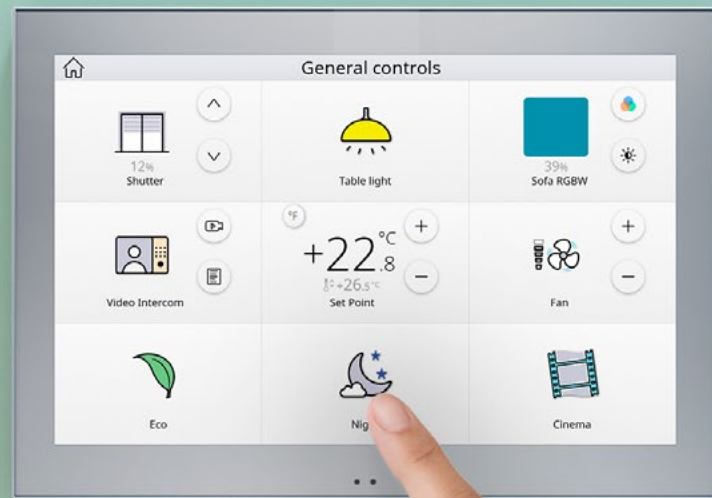
But beyond functionality, our touch panels stand out for their aesthetics, providing additional distinction to the room they are installed in.



# A 10/10 touch panel

Z100 is the top of Zennio's Z's range. With its stylish appearance, Z100 makes any room in which it is installed a bit extra glamorous.

How is it? Flat, compact and elegant, we could not define it better.



Z100 - 10"





Z70 - 7"

## The qualitative leap we were waiting for

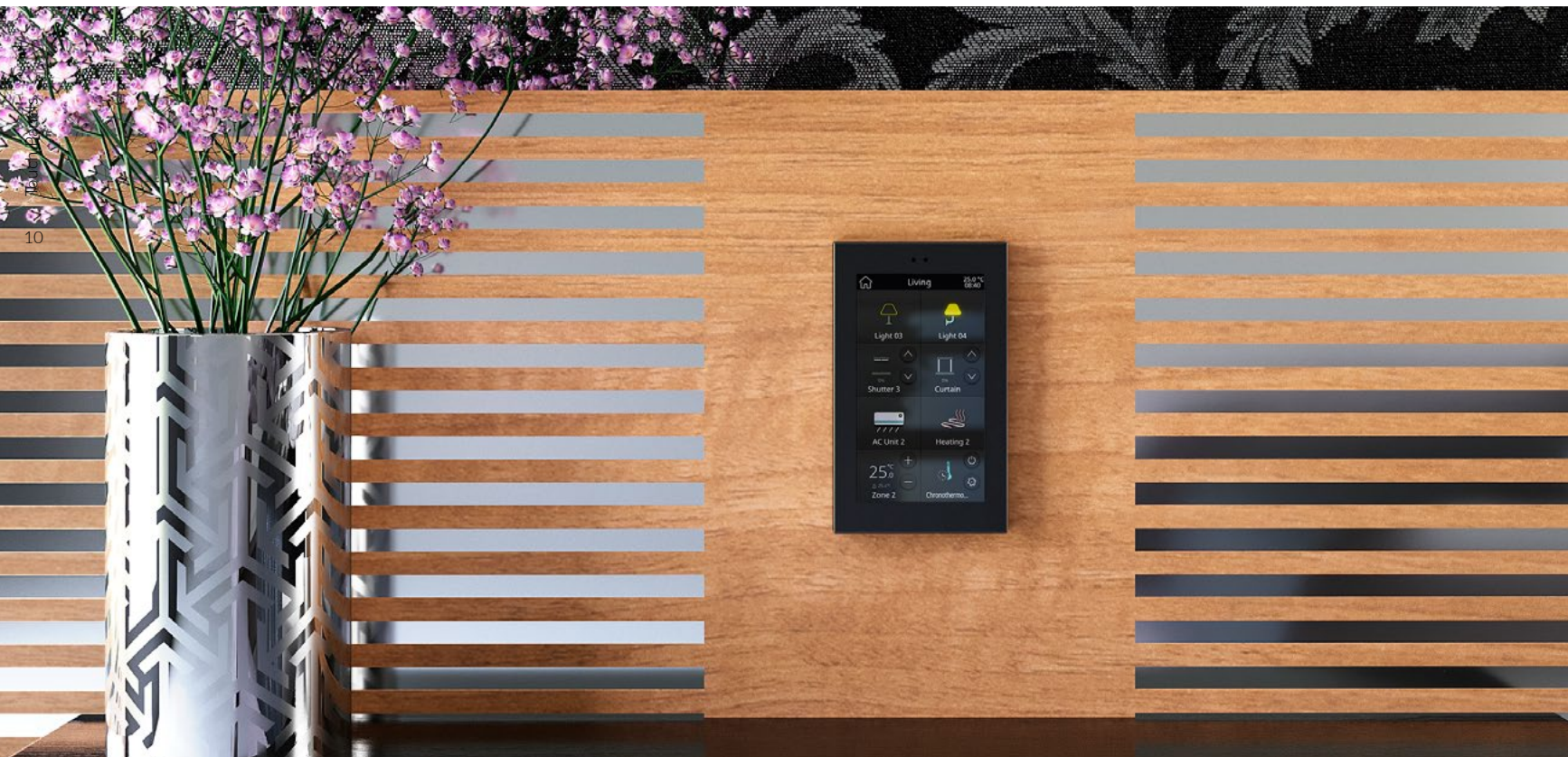
7-inch touch panel with licensed functionality to increase capabilities according to customer needs. With up to 144 control points, it stands out for its intuitive control, appealing and friendly user interface and, of course, the display quality.





# A piece of art

Z50 has everything you are looking for in the touch panel that will become the heart of your smart home. Starting with the straight lines design, elegant and minimalistic, all the way up to its capabilities: in just 5 inches you will have full control of your KNX installation, including remote control, video intercom functionality and voice control. What else could you ask for?



Z50 - 5"





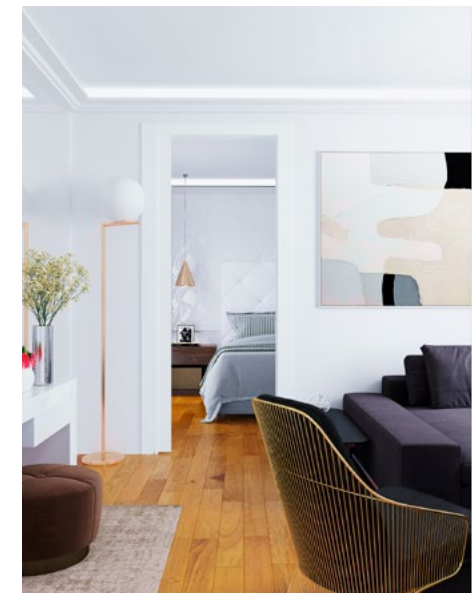
# Z41 - 4.1"

Touch Panels  
12



## An ally you can always trust

This capacitive touch panel has earned the trust of thousands of users throughout the years, thanks to its timeless design, its great control capabilities and its versatility, added to its compact design.



Z41 COM  
Video intercom  
functionality



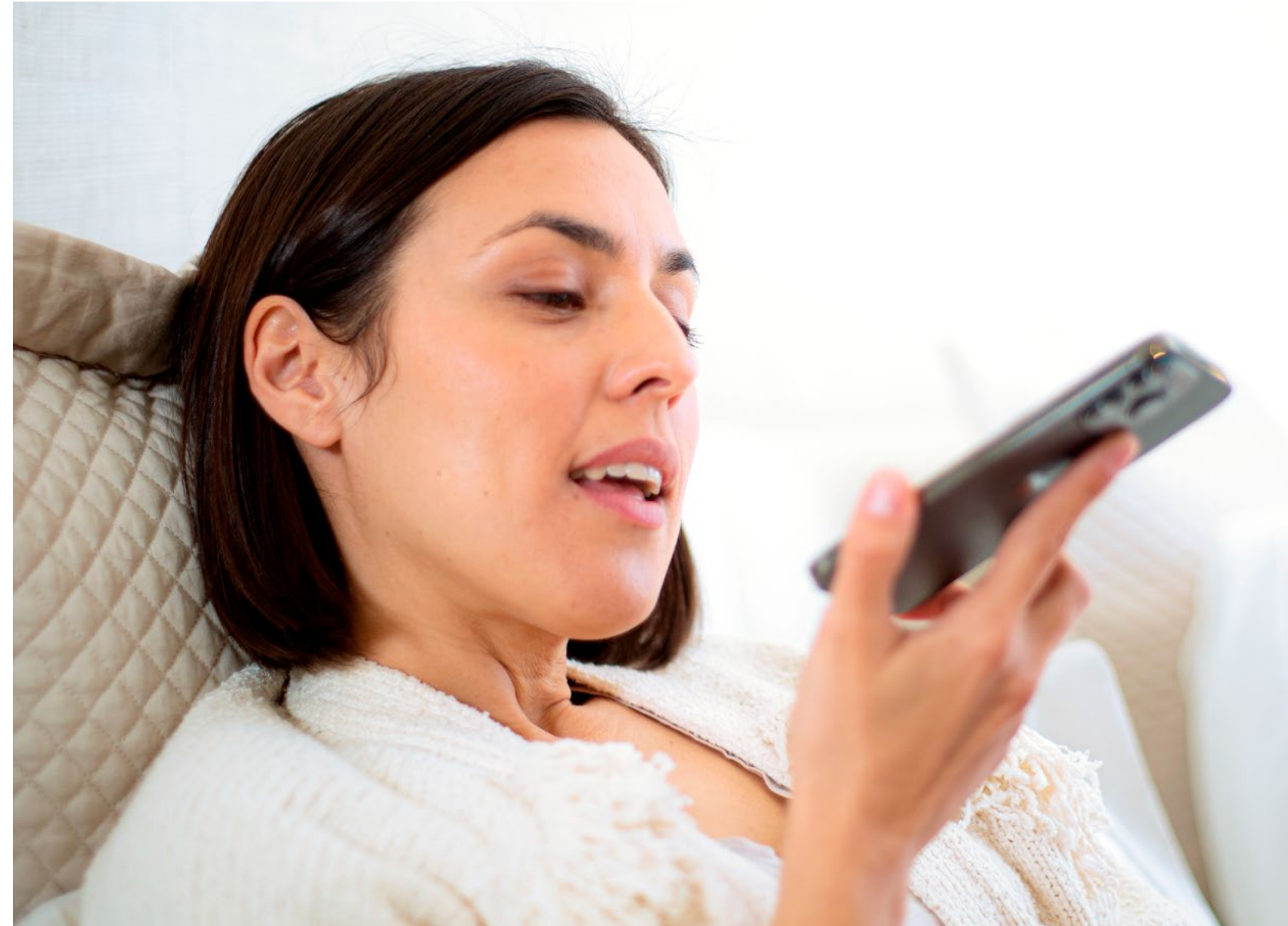
Z41 PRO  
Remote control via  
Z41 Remote app

Touch Panels  
13



# “Alexa! Say thank you to Zennio for making my life easier”

There is nothing like controlling everything around you by just asking. Zennio makes this possible thanks to ZenVoice, a license for Z50/Z70/Z100 that allows you to use Alexa and Google voice assistants in your KNX installation without any extra device, just your Zennio touch panel.








# Full management and control for any building

Get a comfortable air temperature, lighting with the appropriate dimming in each room, close all the blinds or manage the multimedia system with just one button. A system that fits your routine with configurable timers and receives technical alarms such as gas, smoke or flooding. Monitor energy consumptions centrally and start saving.





 Zennio Remote



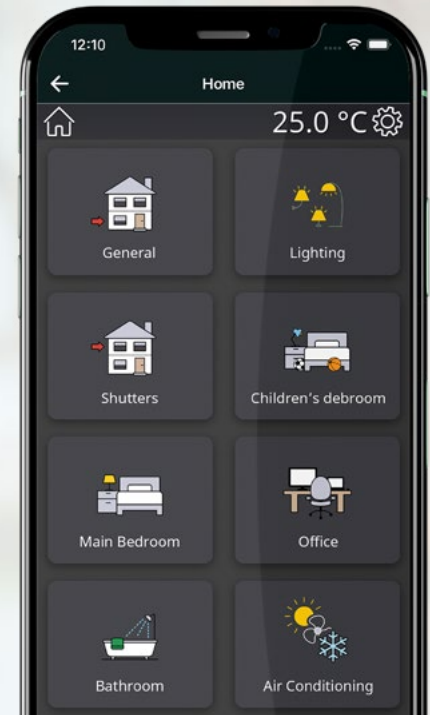
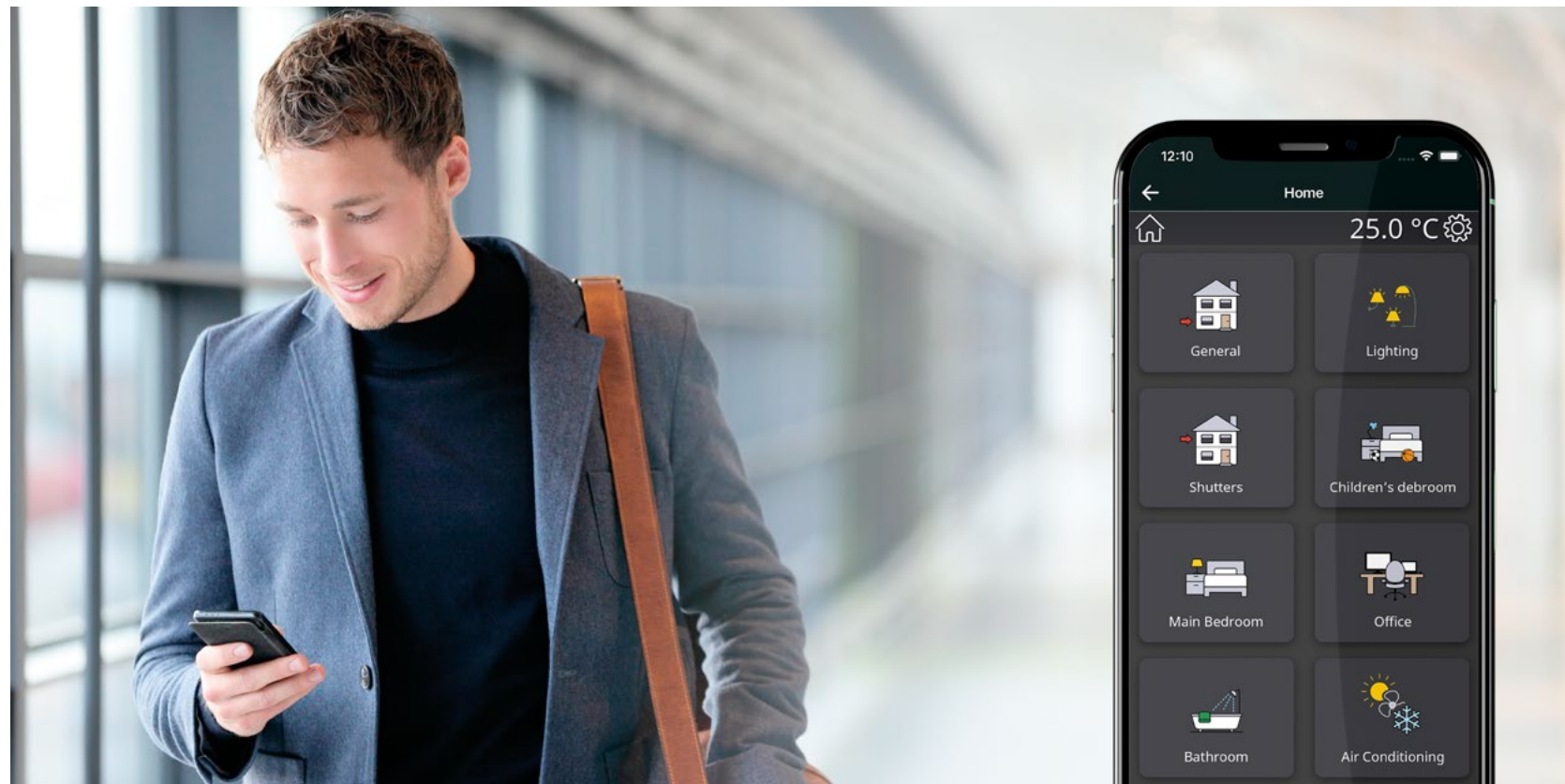
GET IT ON  
Google Play

Download on the  
App Store



## Home sweet home... at your fingertips and under control

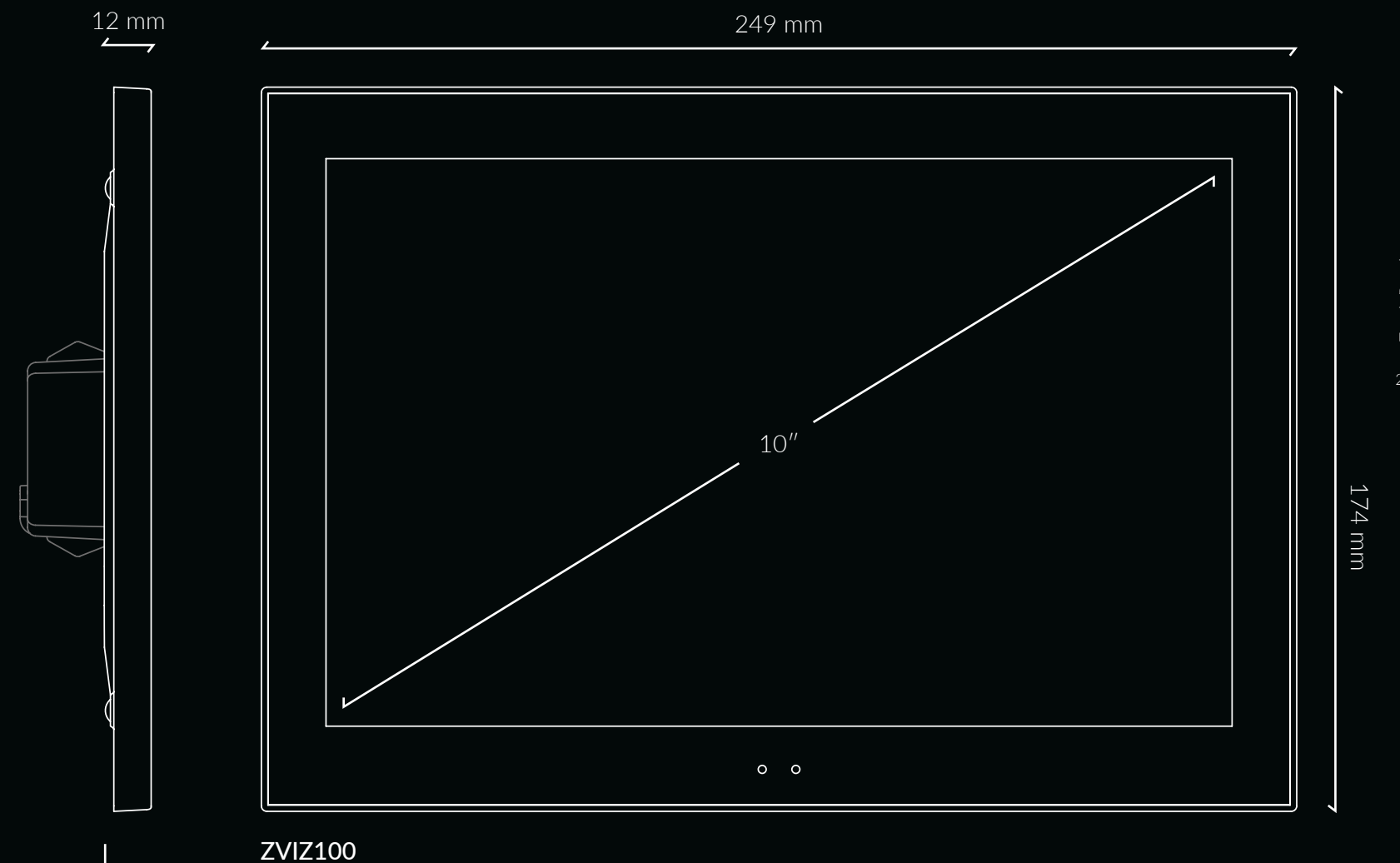
If anything gives us peace of mind is knowing everything is under control. Zennio gives you the peace of knowing your home is under control wherever you are. This is thanks to Zennio's remote control apps, which allow to control and monitor any part of your installation from anywhere in the world.





# References and specifications

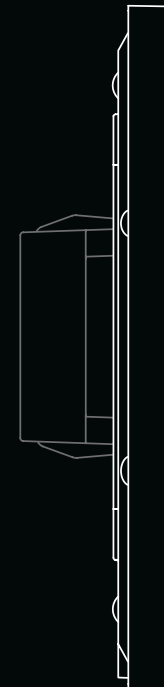
	Z50	Z70	Z100
Display size	5"	7"	10"
Controls and indicators in standard pages	96	144	180
Thermostats	2	2	2
Screensaver	✓	✓	✓
Multilanguage	✓	✓	✓
Custom icons	✓	✓	✓
Technical alarms	✓	✓	✓
Timers	✓	✓	✓
Temperature sensor	✓	✓	-
Proximity sensor	✓	✓	✓
Luminosity sensor for brightness automatic adjustment	✓	✓	✓
Available colours	Anthracite, silver and white	Anthracite, silver, white and gloss white	Anthracite, silver and white
Analogue-digital inputs	2	4	4
Installation in European, British, Italian, American or Australian standard single back box	✓	-	-
Installation in European double or British double standard back box	-	✓	✓
Remote control (Ethernet)	Under license	Under license	Under license
Video intercom and internal calls	Under license	Under license	Under license
Voice control	Under license	Under license	Under license



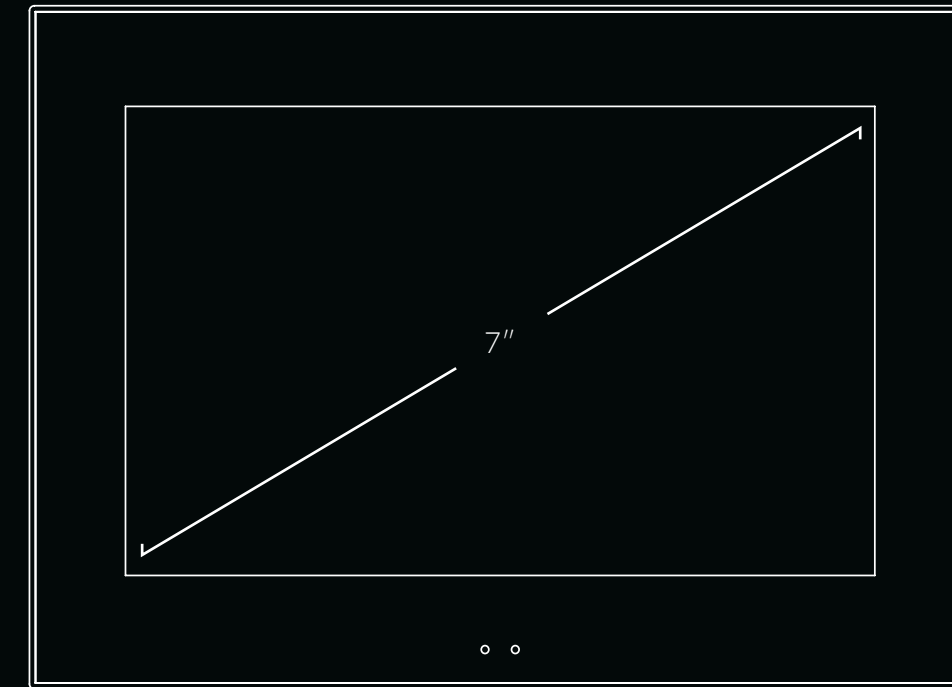
# References and specifications

	Z50	Z70	Z100
Display size	5"	7"	10"
Controls and indicators in standard pages	96	144	180
Thermostats	2	2	2
Screensaver	✓	✓	✓
Multilanguage	✓	✓	✓
Custom icons	✓	✓	✓
Technical alarms	✓	✓	✓
Timers	✓	✓	✓
Temperature sensor	✓	✓	-
Proximity sensor	✓	✓	✓
Luminosity sensor for brightness automatic adjustment	✓	✓	✓
Available colours	Anthracite, silver and white	Anthracite, silver, white and gloss white	Anthracite, silver and white
Analogue-digital inputs	2	4	4
Installation in European, British, Italian, American or Australian standard single back box	✓	-	-
Installation in European double or British double standard back box	-	✓	✓
Remote control (Ethernet)	Under license	Under license	Under license
Video intercom and internal calls	Under license	Under license	Under license
Voice control	Under license	Under license	Under license

12 mm



189 mm

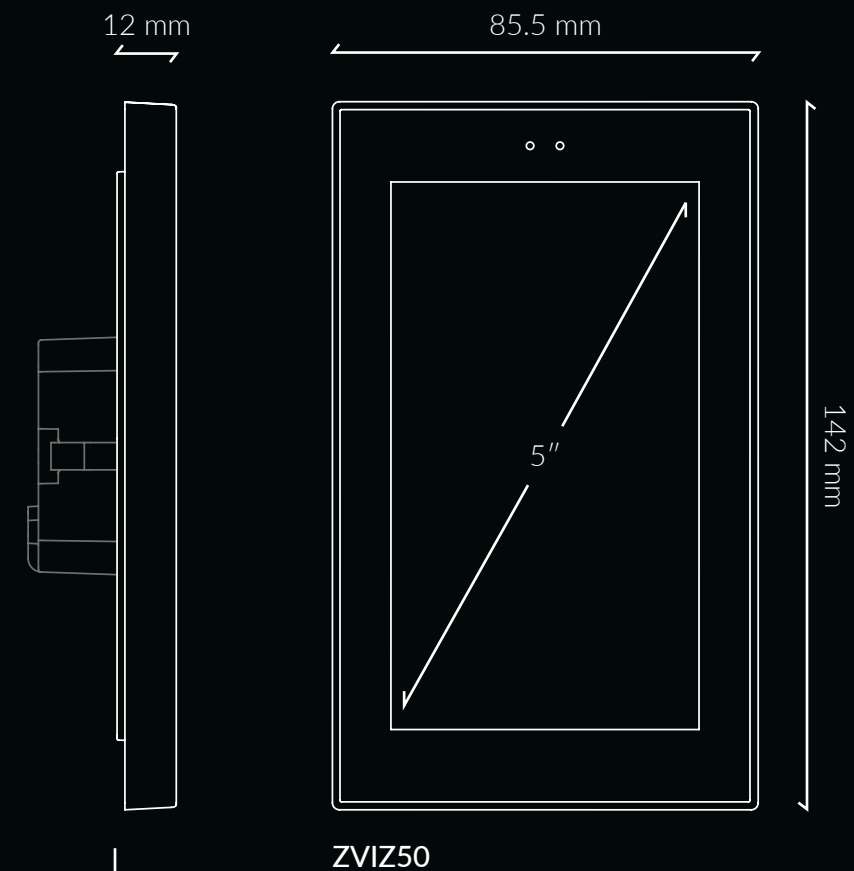


ZVIZ70V2

137 mm

# References and specifications

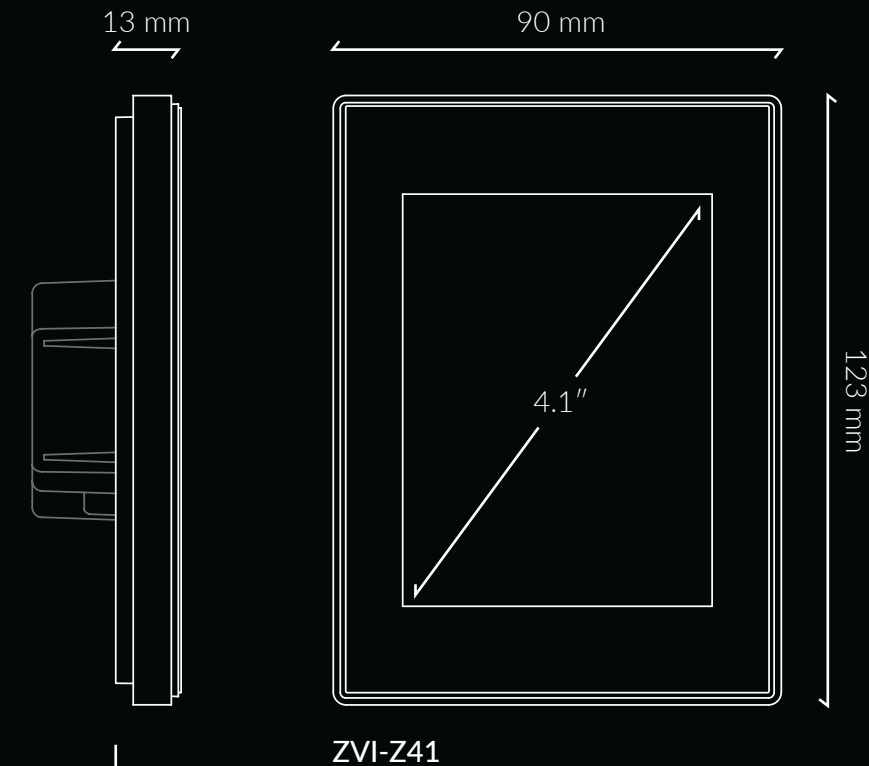
	Z50	Z70	Z100
Display size	5"	7"	10"
Controls and indicators in standard pages	96	144	180
Thermostats	2	2	2
Screensaver	✓	✓	✓
Multilanguage	✓	✓	✓
Custom icons	✓	✓	✓
Technical alarms	✓	✓	✓
Timers	✓	✓	✓
Temperature sensor	✓	✓	-
Proximity sensor	✓	✓	✓
Luminosity sensor for brightness automatic adjustment	✓	✓	✓
Available colours	Anthracite, silver and white	Anthracite, silver, white and gloss white	Anthracite, silver and white
Analogue-digital inputs	2	4	4
Installation in European, British, Italian, American or Australian standard single back box	✓	-	-
Installation in European double or British double standard back box	-	✓	✓
Remote control (Ethernet)	Under license	Under license	Under license
Video intercom and internal calls	Under license	Under license	Under license
Voice control	Under license	Under license	Under license





# References and specifications

	Z41 Lite	Z41 Pro	Z41 COM
Display size	4.1"	4.1"	4.1"
Controls and indicators in standard pages	96	96	96
Thermostats	2	2	2
Screensaver	✓	✓	✓
Multilanguage	✓	✓	✓
Technical alarms	✓	✓	✓
Timers	✓	✓	✓
Temperature sensor	✓	✓	✓
Colours: anthracite, silver, white	✓	✓	✓
Polycarbonate frames: black, silver and white	✓	✓	✓
Metallic frames: aluminium, gold, chrome and brass	✓	✓	-
Analogue-digital inputs	2	2	-
Installation in European or British back box	✓	✓	✓
Installation in Italian, American or Australian back box	✓	✓	✓
Remote control (Ethernet)	-	✓	✓
Video intercom and internal calls	-	-	✓



Z40



# Room controllers

Z40 - Z35 - Z28

Room controllers

Room controllers

28



Z28



Z35 installed in Potidea Palace Hotel (Calcidica - Greece)

29

Ultra intuitive, elegant and with an extraordinary performance

Intuitive screens with the latest capacitive technology to enjoy and obtain the highest performance in any room with a modern and elegant design. Its straight shaping fits perfectly into any deco and matches Zennio switches.

Different format,  
same functionality



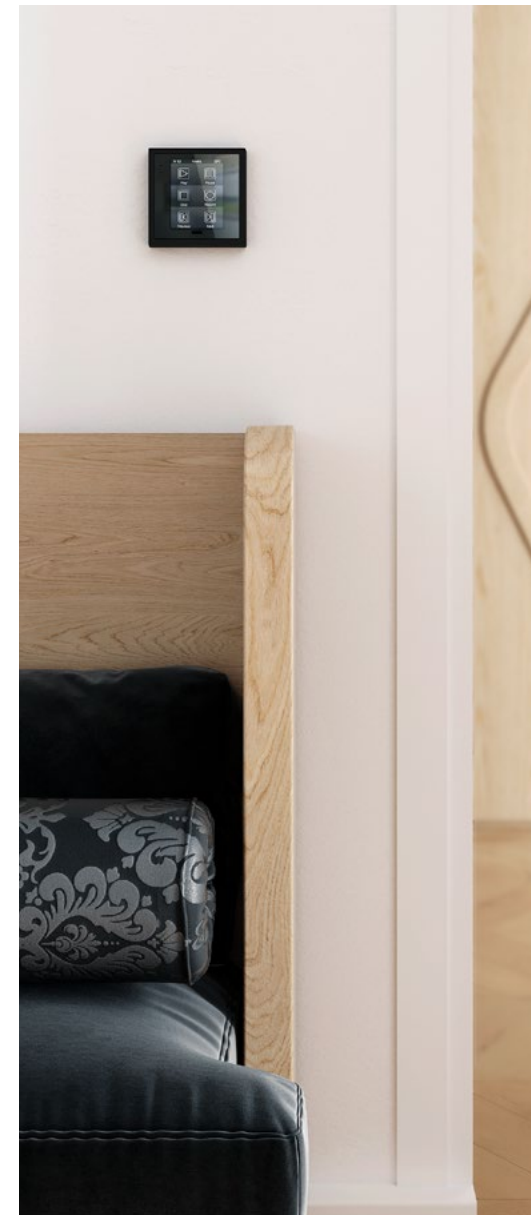
## Z40

A 4.1" landscape colour touch panel that combines with any environment, ideal to combine with Italian, American or Australian style switches.



## Z35

A 3.5" square colour touch panel to match all Zennio capacitive touch switches and achieve greater functionality in any room while maintaining aesthetic cohesion.



## Z28

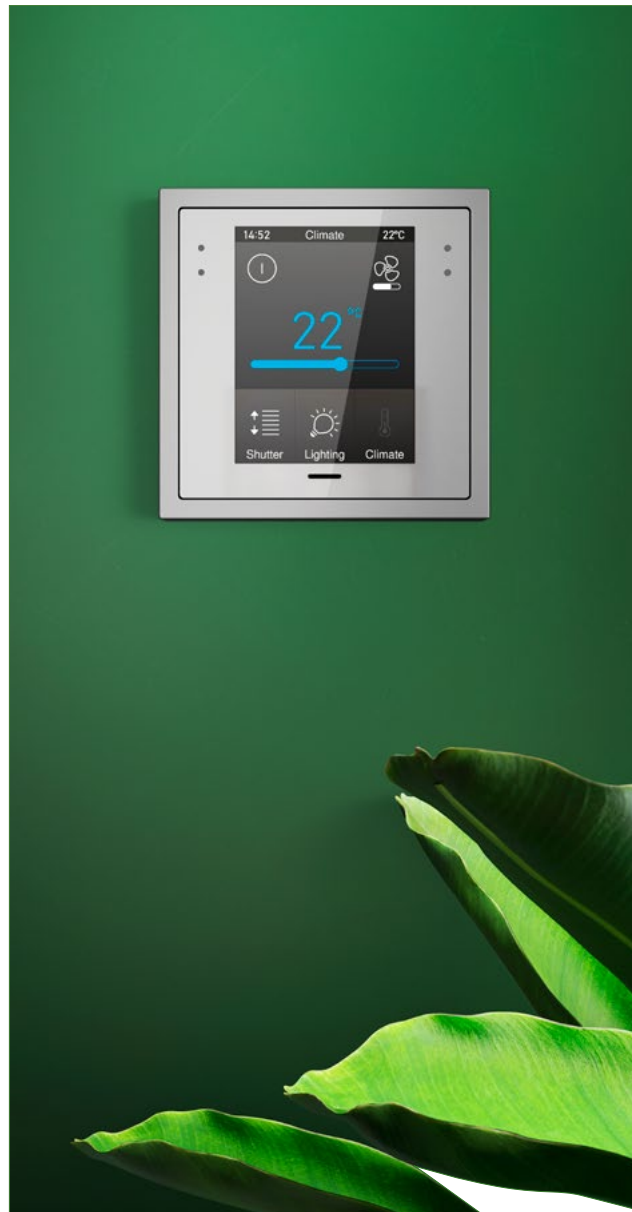
A little great revolution.

This 2.8" colour touch panel is a huge revolution due to its installation in 70x70 Zennio frames, making it a compact, discreet and multi-functional solution.



# Much more than a thermostat...

Z28, Z35 and Z40 capacitive touch panels are much more than just thermostats. With multiple functionalities, they are conceived to make the most of your day to day. Whatever your option, you will be able to achieve a perfect ambience thanks to the multitude of actions, lighting scenes, HVAC and blinds control, play music from your smartphone...



# Like if you'd always had it

Z28, Z35 and Z40 user interfaces are extremely visual and intuitive. With clear and simple home pages you will feel totally fine using them from the first touch.



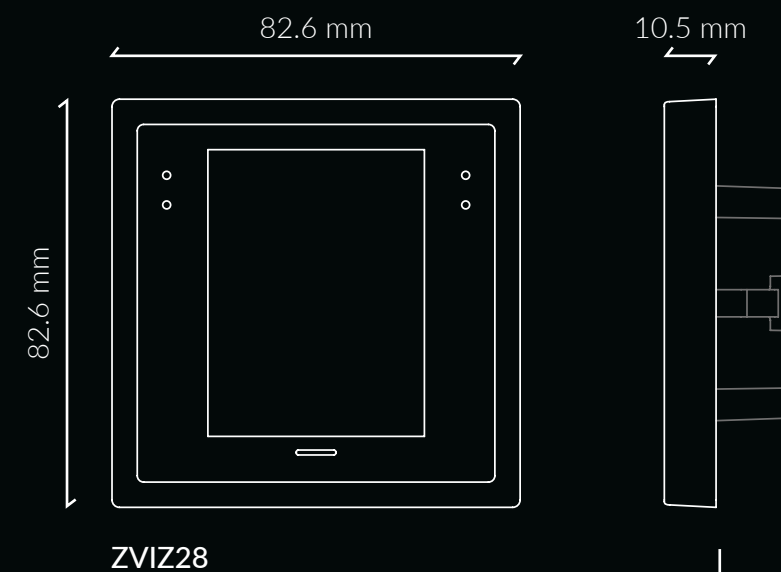
## Enjoy a perfect dream

The displays adapt to ambience luminosity and user proximity. Z28, Z35 and Z40 are smart touch displays that adapt to any scenario: with their proximity sensor the display is only active when approached for maximum comfort. While not in use, the screensaver can display a clock, a nice picture or just remain inactive, whatever you prefer! Moreover, it adapts to the ambience luminosity thanks to its luminosity sensor that dims the display.



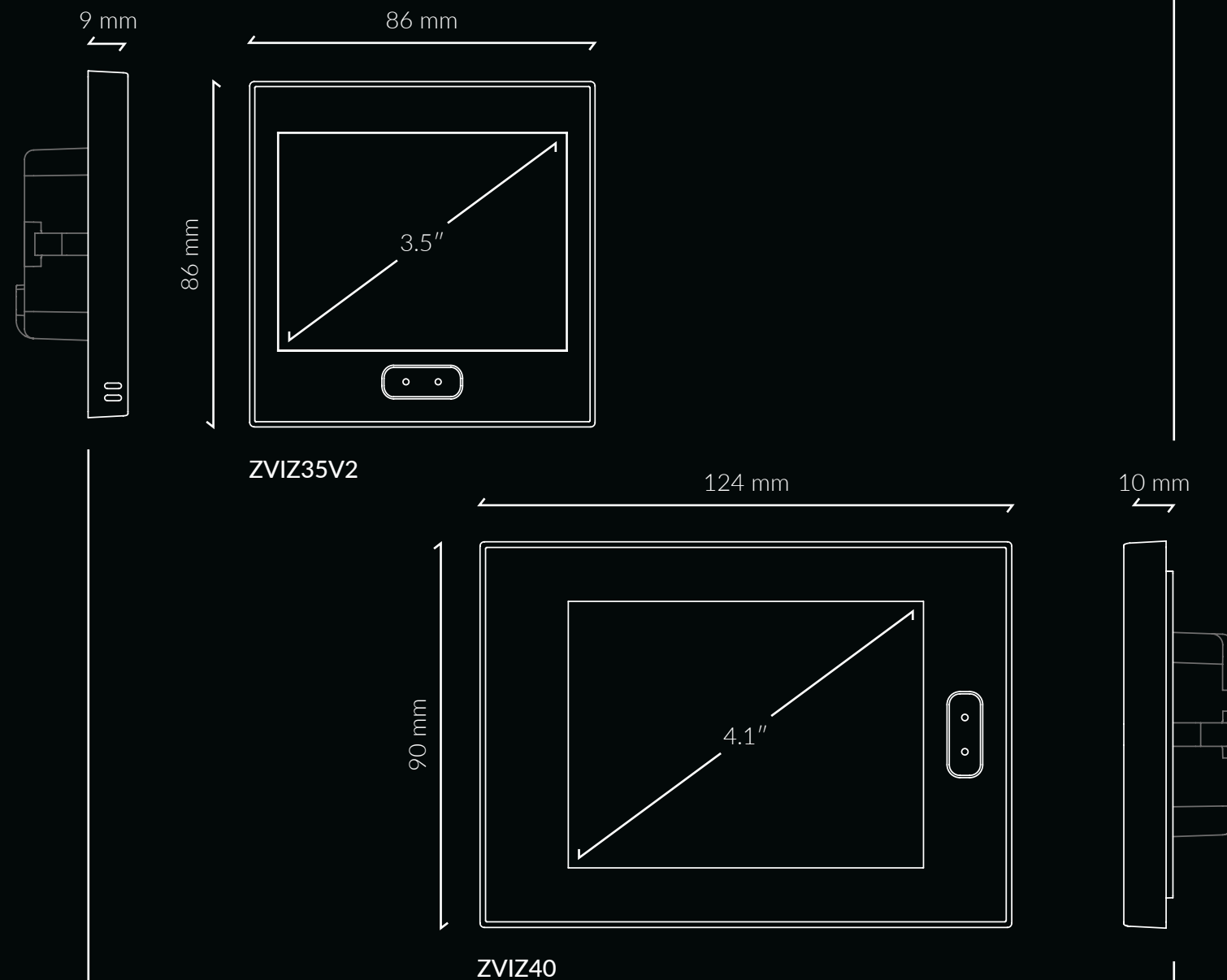
# References and specifications

	Z28	Z35	Z40
Display size	2.8"	3.5"	4.1"
Controls and indicators in standard pages	35	56	56
Thermostats	2	2	2
Installation with Zennio 70x70 frames	✓	-	-
Thermostat pages	✓	✓	✓
Screensaver	✓	✓	✓
Multilanguage	✓	✓	✓
Temperature sensor	-	✓	✓
Proximity sensor	✓	✓	✓
Luminosity sensor for brightness automatic adjustment	✓	✓	✓
Humidity sensor	-	✓	-
Available colours	Anthracite, silver and white	Anthracite, silver, white and gloss white	Anthracite, silver, white and gloss white
Analogue-digital inputs for motion sensors, temperature probe or potential-free contacts	2	4	4
Installation in European or British back box	✓	✓	✓
Installation in Italian, American or Australian back box	-	-	✓

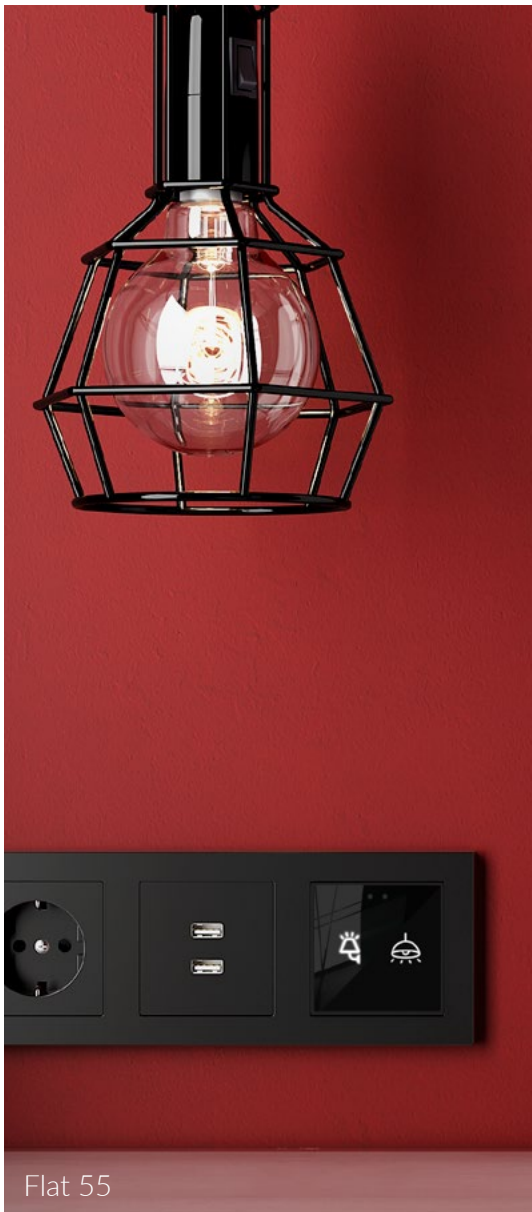


# References and specifications

	Z28	Z35	Z40
Display size	2.8"	3.5"	4.1"
Controls and indicators in standard pages	35	56	56
Thermostats	2	2	2
Installation with Zennio 70x70 frames	✓	-	-
Thermostat pages	✓	✓	✓
Screensaver	✓	✓	✓
Multilanguage	✓	✓	✓
Temperature sensor	-	✓	✓
Proximity sensor	✓	✓	✓
Luminosity sensor for brightness automatic adjustment	✓	✓	✓
Humidity sensor	-	✓	-
Available colours	Anthracite, silver and white	Anthracite, silver, white and gloss white	Anthracite, silver, white and gloss white
Analogue-digital inputs for motion sensors, temperature probe or potential-free contacts	2	4	4
Installation in European or British back box	✓	✓	✓
Installation in Italian, American or Australian back box	-	-	✓







Flat 55



Flat



Flat XL

# Capacitive panels

Flat 55 - Flat - Flat XL  
Flat Sensato - Flat Ambient

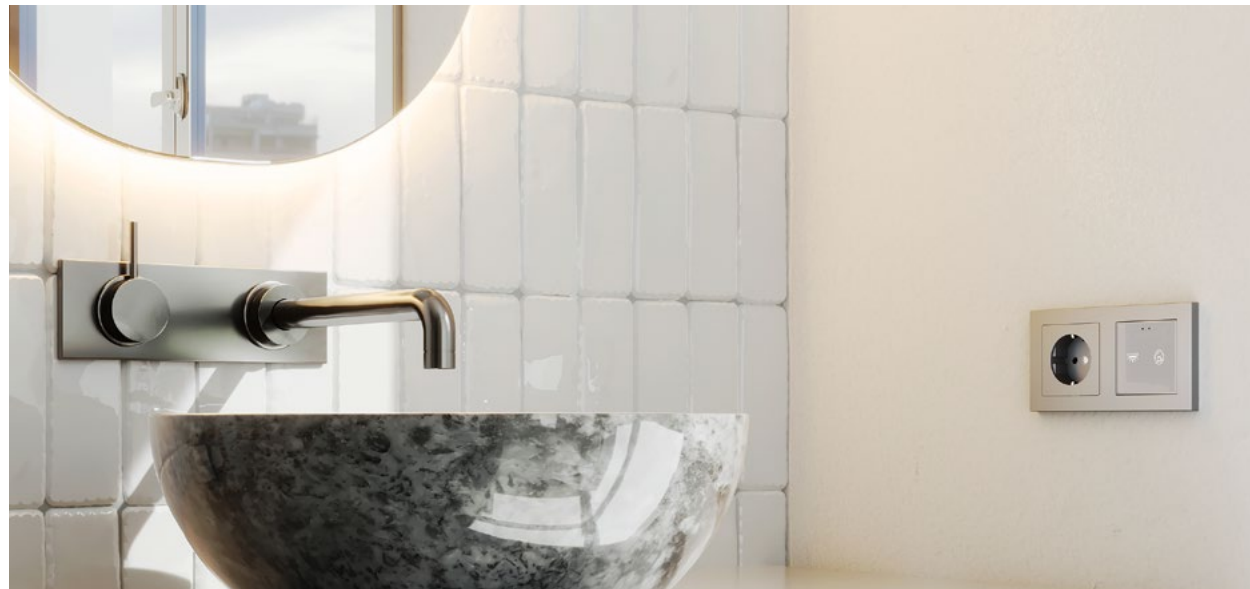
Unique flat designs for  
a distributed control

Glass capacitive switches, fully customizable according to your own style so you can choose the buttons and functions that you need in each room. Do you want it with or without a display? How many buttons? From a minimalistic design to a fully personalized one, pick the one that better meets your requirements. With backlit icons according to ambience luminosity so you can enjoy a relaxing and pleasing environment.



# Infinite combinations

The perfect quality of glass and all the possibilities of personalization. Combine them however you want with the electrical accessories family, all flush fitted into 55x55 frames.



## Flat 55

1, 2 or 4 buttons with backlit icons in a compact format for lighting, blinds or any other functionality.



## Flat 55 Display

A unique design with a circular display. An elegant and discreet thermostat for an increased room comfort.





# Your bespoke switch

## Flat

Choose the number of buttons, 1, 2, 4 or 6, choose the backlit icons for each function according to your requirements and make it bespoke to control whatever you want in a quick and direct way.

## Flat Display

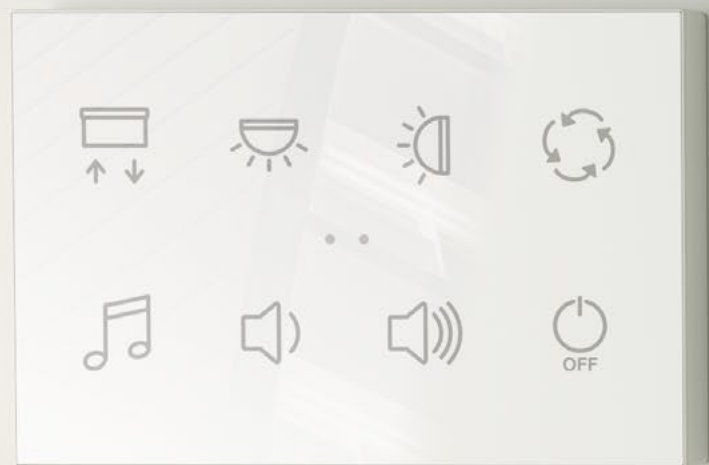
A 2.4" display to show the status of the space where its placed plus 5 buttons to make it the perfect thermostat.





# Flat XL

All the Flat family capabilities in a switch with greater possibilities: 4, 6, 8 or up to 10 buttons with backlit icons. It fits Italian, American or Australian styles... but over all it fits your own personal style.





# Infinite options, unique results

Pick between the minimalistic standard designs or make your own bespoke design with the glass finish and backlit icons elegance and quality.





# Complete the family while maintaining aesthetics

Aesthetic cohesion is key for room harmony. The Flat family is completed with two devices that maintain the family looks adding unique value.

## Flat Sensato

An environment with humidity control allows an optimal air quality, increasing comfort for those who want to control and improve every aspect of their lives.



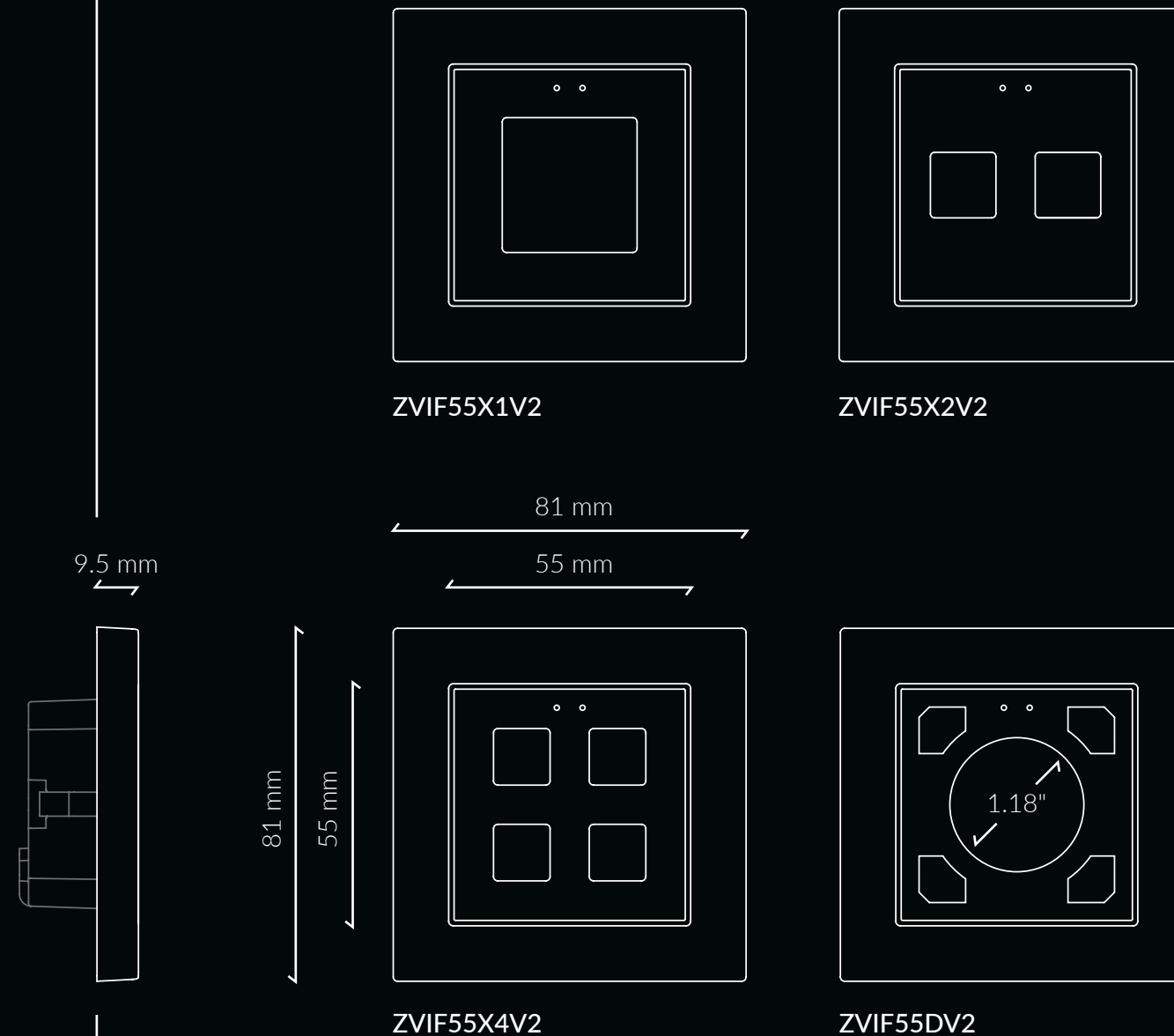
## Flat AmbientT

For those rooms where only temperature reading is required while keeping the characteristic elegance of the Flat family.



# References and specifications

	Flat 55	Flat 55 Display
Backlit icons	✓	✓
Luminosity sensor for brightness automatic adjustment	✓	✓
Proximity sensor	✓	✓
Thermostat	✓	✓
In-built temperature sensor	-	-
Installation in European standard mounting box	✓	✓
Installation in Italian, American or Australian standard mounting box	-	-
Combination with 55x55 series switches and sockets	✓	✓
Housing available in 4 colours (anthracite/silver/white/gloss white)	✓	✓
Customizable	✓	✓
Number of buttons	1/2/4	4
Backlit display	-	✓
2 analogue-digital inputs	✓	✓
Vertical or horizontal installation	✓	-



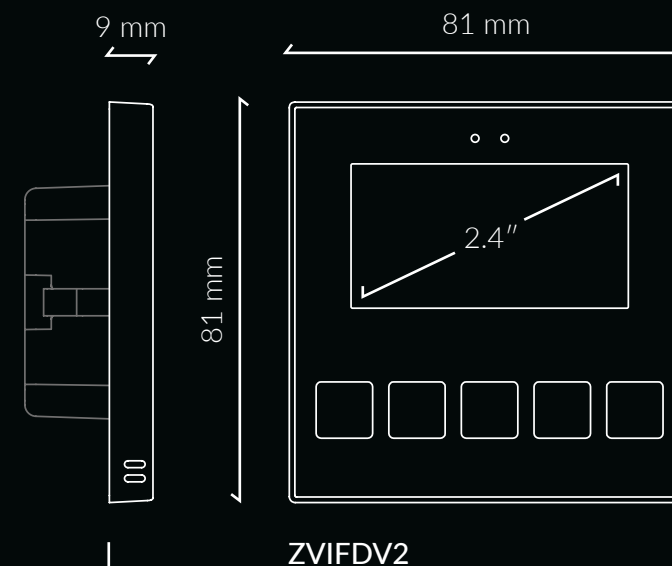


# References and specifications

Capacitive panels

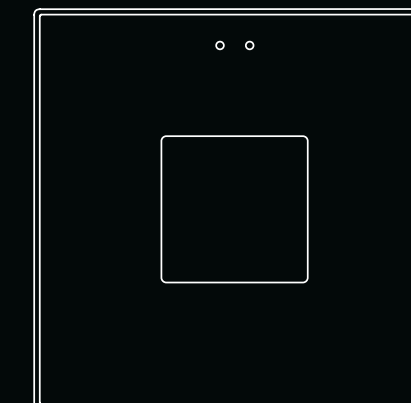
54

	Flat	Flat Display	Flat XL
Backlit icons	✓	✓	✓
Luminosity sensor for brightness automatic adjustment	✓	✓	✓
Proximity sensor	✓	✓	✓
Humidity sensor	-	✓	-
Thermostat	✓	✓	✓
In-built temperature sensor	✓	✓	✓
Installation in European or British standard mounting box	✓	✓	✓
Installation in Italian, American or Australian standard mounting box	-	-	✓
Combination with 55x55 series switches and sockets	-	-	-
Housing available in 4 colours (anthracite/silver/white/gloss white)	✓	✓	✓
Customizable	✓	✓	✓
Number of buttons	1/2/4/6	5	4/6/8/10
Backlit display	-	✓	-
2 analogue-digital inputs	✓	✓	✓
Vertical or horizontal installation	✓	-	✓

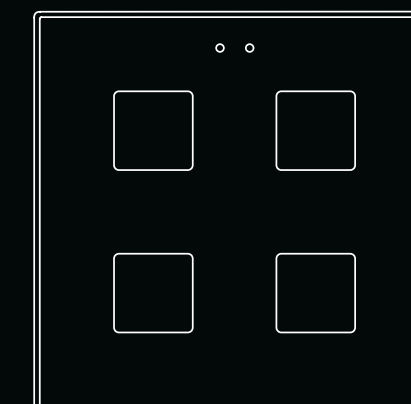
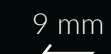
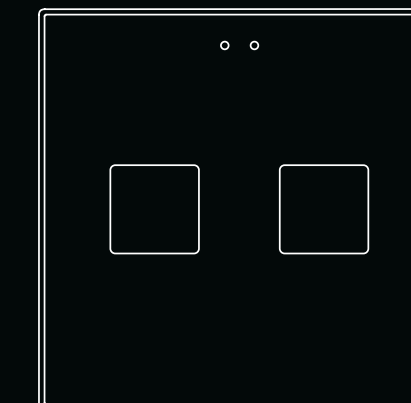


ZVIFDV2

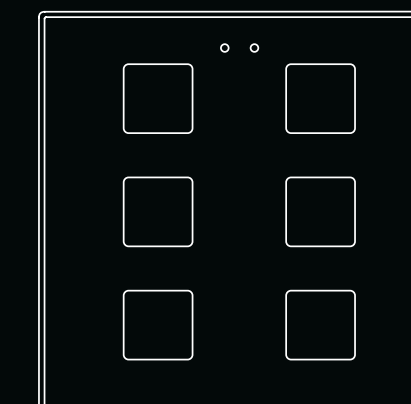
ZVIF1V2



ZVIF2V2



ZVIF4V2



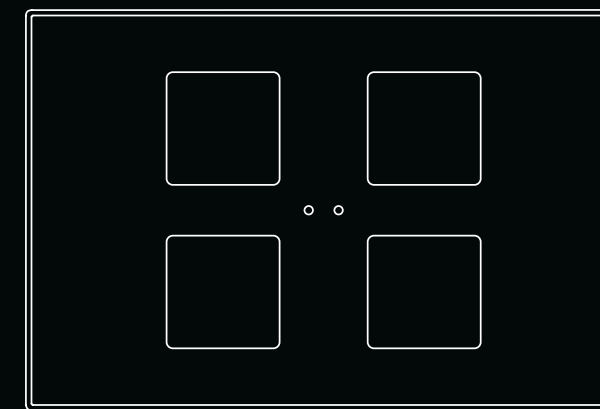
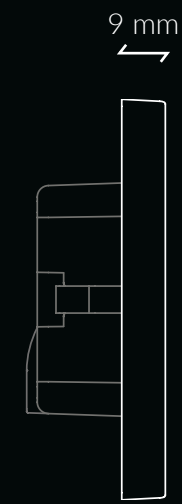
ZVIF6V2

Capacitive panels

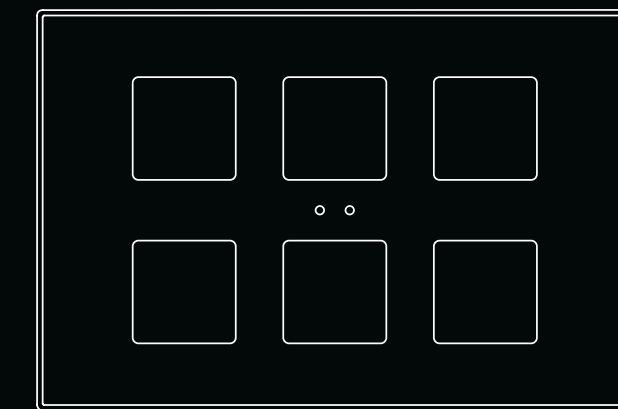
55

# References and specifications

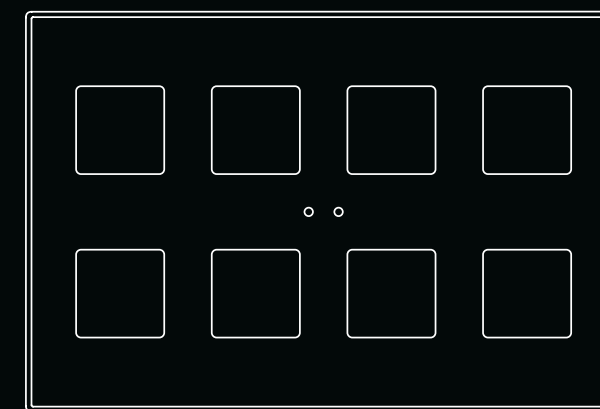
	Flat	Flat Display	Flat XL
Backlit icons	✓	✓	✓
Luminosity sensor for brightness automatic adjustment	✓	✓	✓
Proximity sensor	✓	✓	✓
Humidity sensor	-	✓	-
Thermostat	✓	✓	✓
In-built temperature sensor	✓	✓	✓
Installation in European or British standard mounting box	✓	✓	✓
Installation in Italian, American or Australian standard mounting box	-	-	✓
Combination with 55x55 series switches and sockets	-	-	-
Housing available in 4 colours (anthracite/silver/white/gloss white)	✓	✓	✓
Customizable	✓	✓	✓
Number of buttons	1/2/4/6	5	4/6/8/10
Backlit display	-	✓	-
2 analogue-digital inputs	✓	✓	✓
Vertical or horizontal installation	✓	-	✓



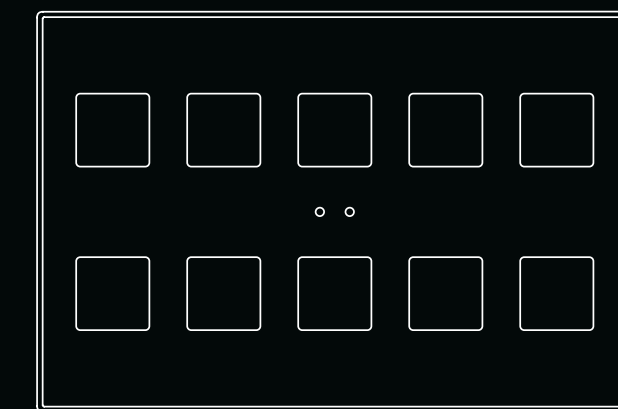
ZVIFXLX4



ZVIFXLX6



ZVIFXLX8



ZVIFXLX10

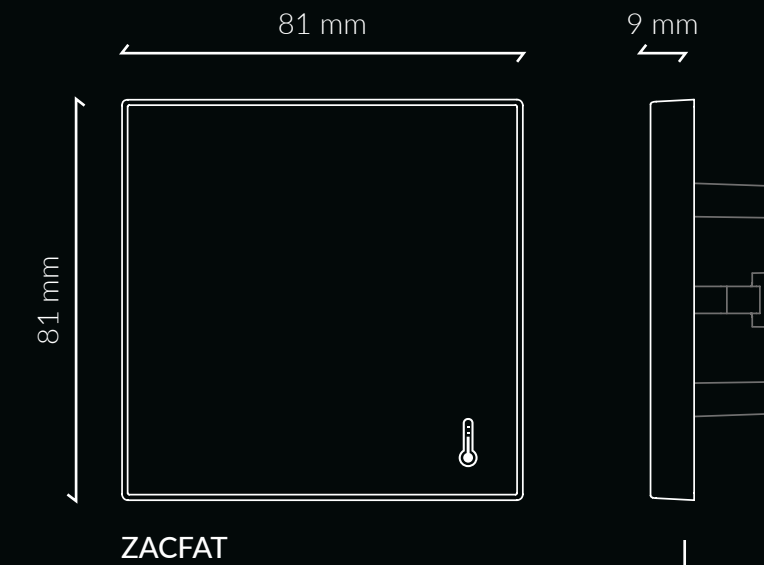
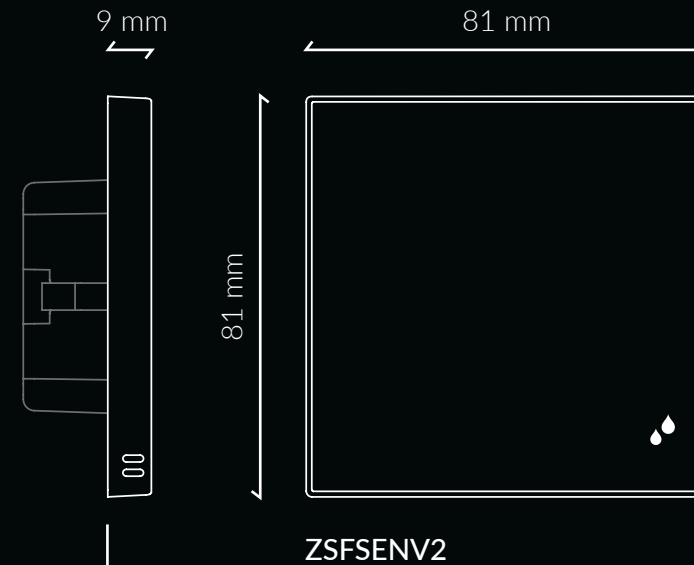
120 mm

82 mm



# References and specifications

	Flat Sensato	Flat AmbienT
Humidity sensor	✓	-
In-built temperature sensor	✓	✓
Installation in European or British standard mounting box	✓	✓
Installation in Italian, American or Australian standard mounting box	-	-
Combination with 55x55 series switches and sockets	-	-
Customizable	-	-
Housing available in 4 colours (anthracite/silver/white/gloss white)	✓	✓
2 analogue-digital inputs	✓	-
Vertical or horizontal installation	-	-
KNX bus connection	✓	-



Tecla XL



# Capacitive touch switches

Tecla 55 - Tecla XL

The most versatile control with the most minimalistic design

Enjoy distributed control with the Tecla family to meet all your requirements. Its polycarbonate simplified aesthetics with a complete range of backlit icons allows for a one of a kind user experience.

Tecla brings simplicity to another level offering a discreet integration into any environment.



Tecla 55

# Tecla 55

1, 2, 4 and 6-button touch switches to replace conventional switches and increase control options while reducing the required space. A perfect combination and integration with 55x55 flush-fitted sockets and accessories.



# Tecla XL

4, 6, 8 and 10-button touch switches in rectangular format with a minimalistic design to meet every deco.

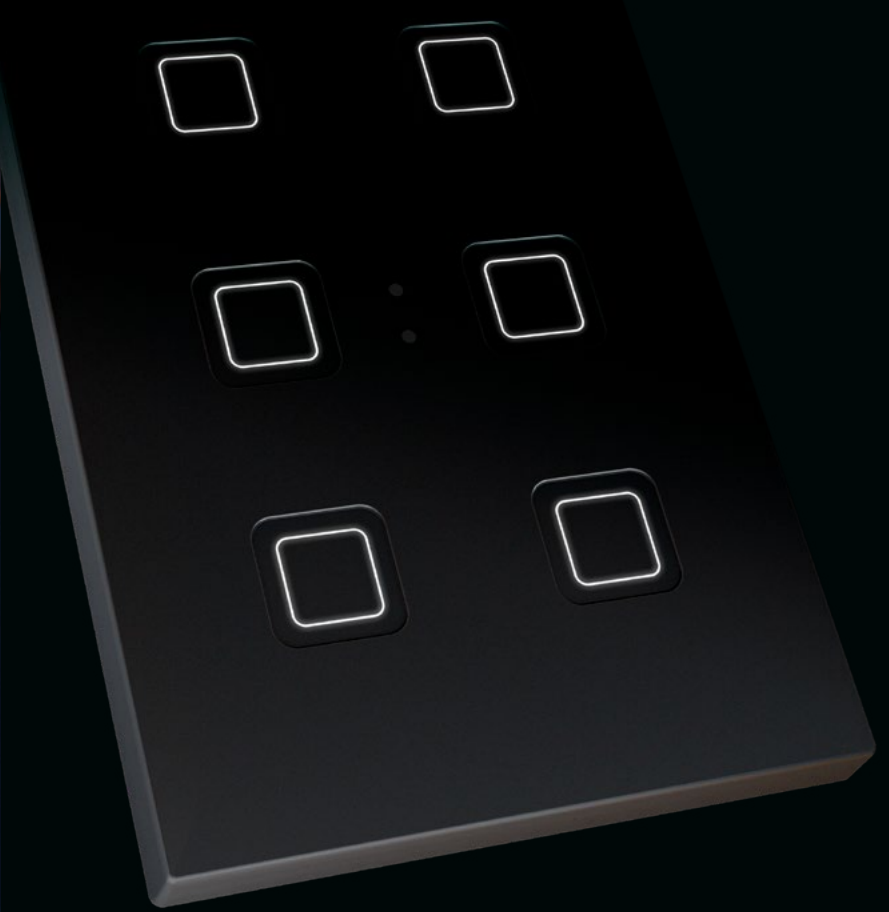






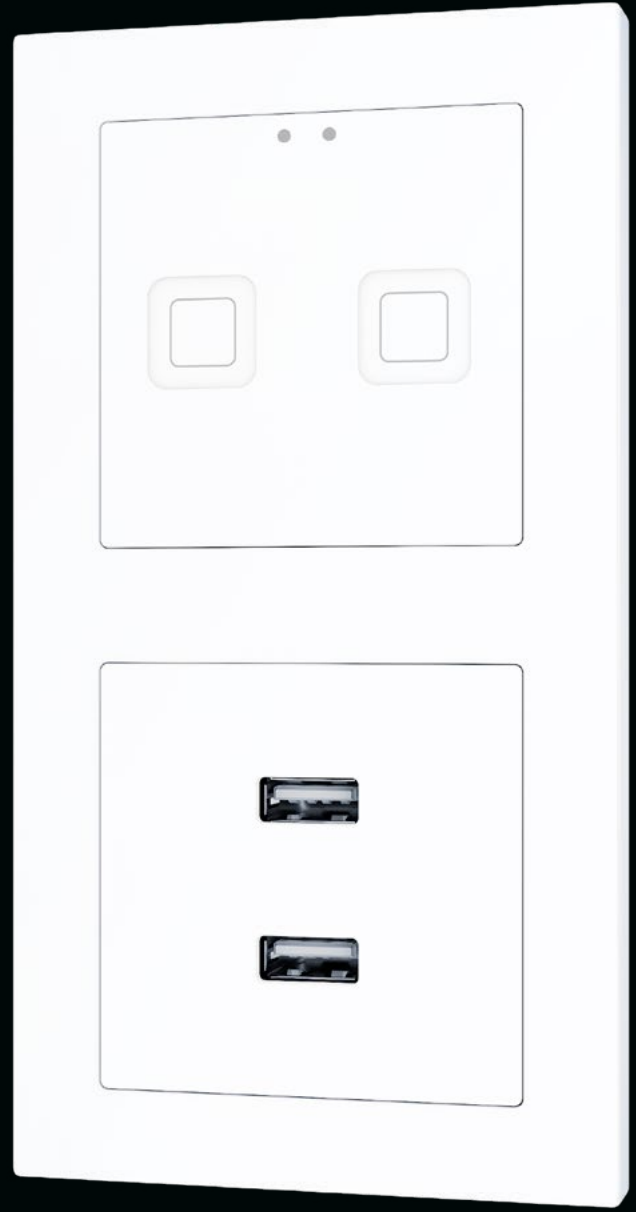
## Bespoke functionality

A full range of backlit icons to show the different functions each button controls. Buttons become brighter when approached to show every available control option and dim when you move away.



## The simplicity of standard

Minimalistic, sophisticated and timeless. Standard options fit every environment. Neutral designs that integrate perfectly into any space.



# Tecla 55 X2 Sign

Room signalling and status selection device that allows to show guest preferences for making up the room or privacy in an intuitive, simple and elegant way.

When located outside the room it will let the hotel staff know the DND/MUR status selected by the guest as well as if the guest is currently inside the room.



# References and specifications

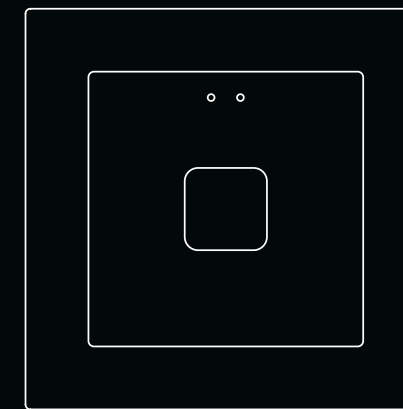
	Tecla 55	Tecla XL
Customizable backlit icons	✓	✓
Luminosity sensor for brightness automatic adjustment	✓	✓
Proximity sensor	✓	✓
Thermostat	✓	✓
Temperature sensor	Input for sensor	In-built
Installation in European standard mounting box	✓	✓
Installation in Italian, American or Australian standard mounting box	-	✓
Combination with 55x55 series switches and sockets	✓	-
3 colours available (anthracite/silver/white)	✓	✓
Number of buttons	1/2/4/6	4/6/8/10
Vertical or horizontal installation	✓	✓

9.5 mm



81 mm

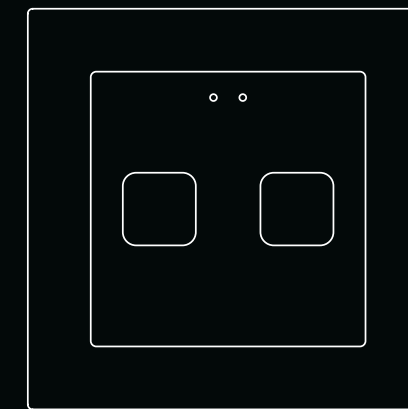
55 mm



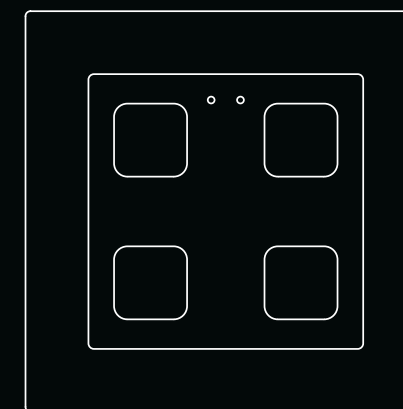
ZVIT55X1

81 mm

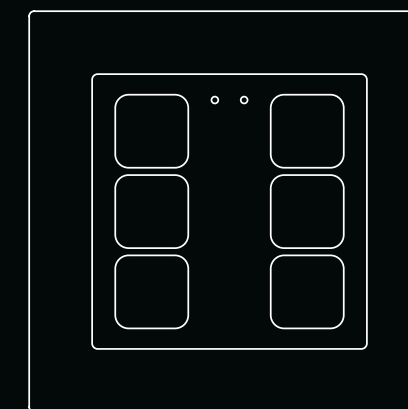
55 mm



ZVIT55X2



ZVIT55X4



ZVIT55X6



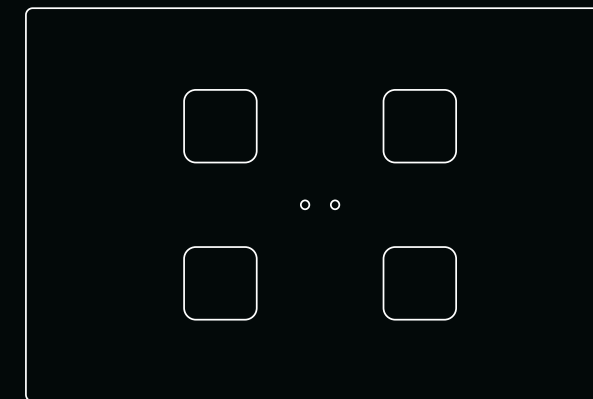
# References and specifications

	Tecla 55	Tecla XL
Customizable backlit icons	✓	✓
Luminosity sensor for brightness automatic adjustment	✓	✓
Proximity sensor	✓	✓
Thermostat	✓	✓
Temperature sensor	Input for sensor	In-built
Installation in European standard mounting box	✓	✓
Installation in Italian, American or Australian standard mounting box	-	✓
Combination with 55x55 series switches and sockets	✓	-
3 colours available (anthracite/silver/white)	✓	✓
Number of buttons	1/2/4/6	4/6/8/10
Vertical or horizontal installation	✓	✓

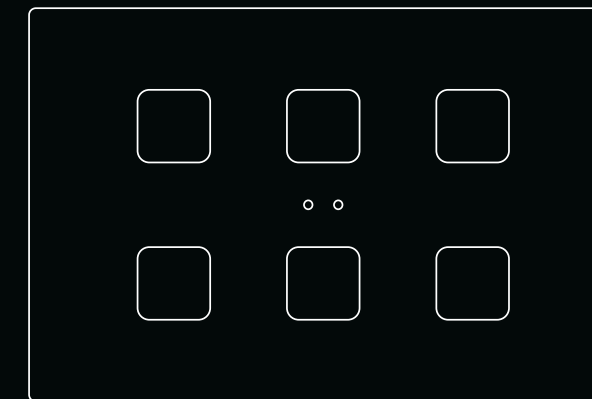
9.5 mm



79.5 mm

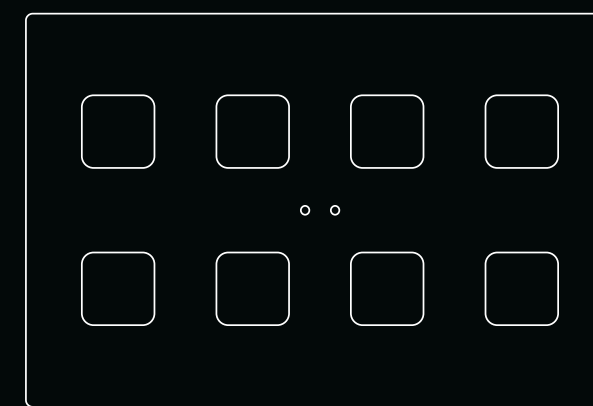


ZVITXLX4

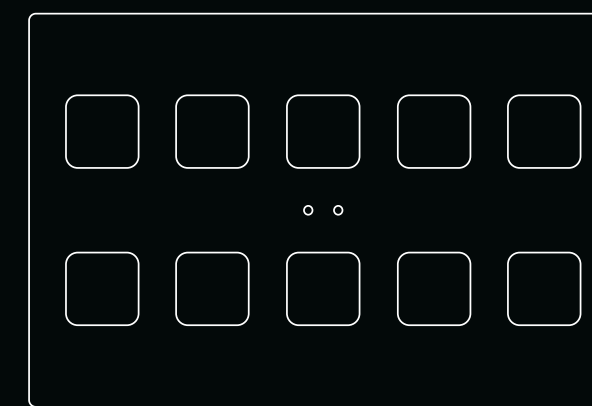


ZVITXLX6

119 mm



ZVITXLX8



ZVITXLX10



A step towards  
ambient intelligence

# Wall-mounted motion detector

## Presentia W

Run any desired function with just moving thanks to the 180° wall-mounted motion detector. Combine it with switches and electrical accessories and it will be discreetly integrated in any ambience.

## Guaranteed discretion

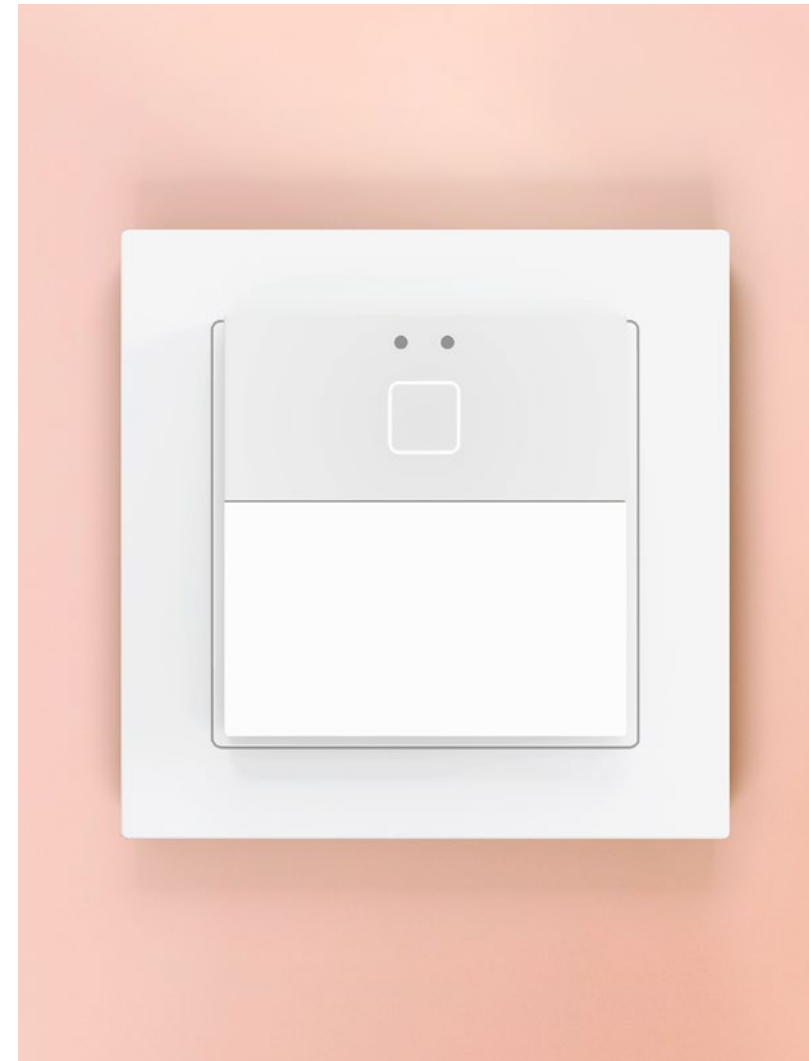
An elegant option for rooms or corridors thanks to its seamless integration with the Tecla 55 and Flat 55 families as well as the ZS55 electrical accessories range.



## Much more than a motion detector

Control any function with the additional backlit buttons in Presentia W1 and Presentia W2 models.

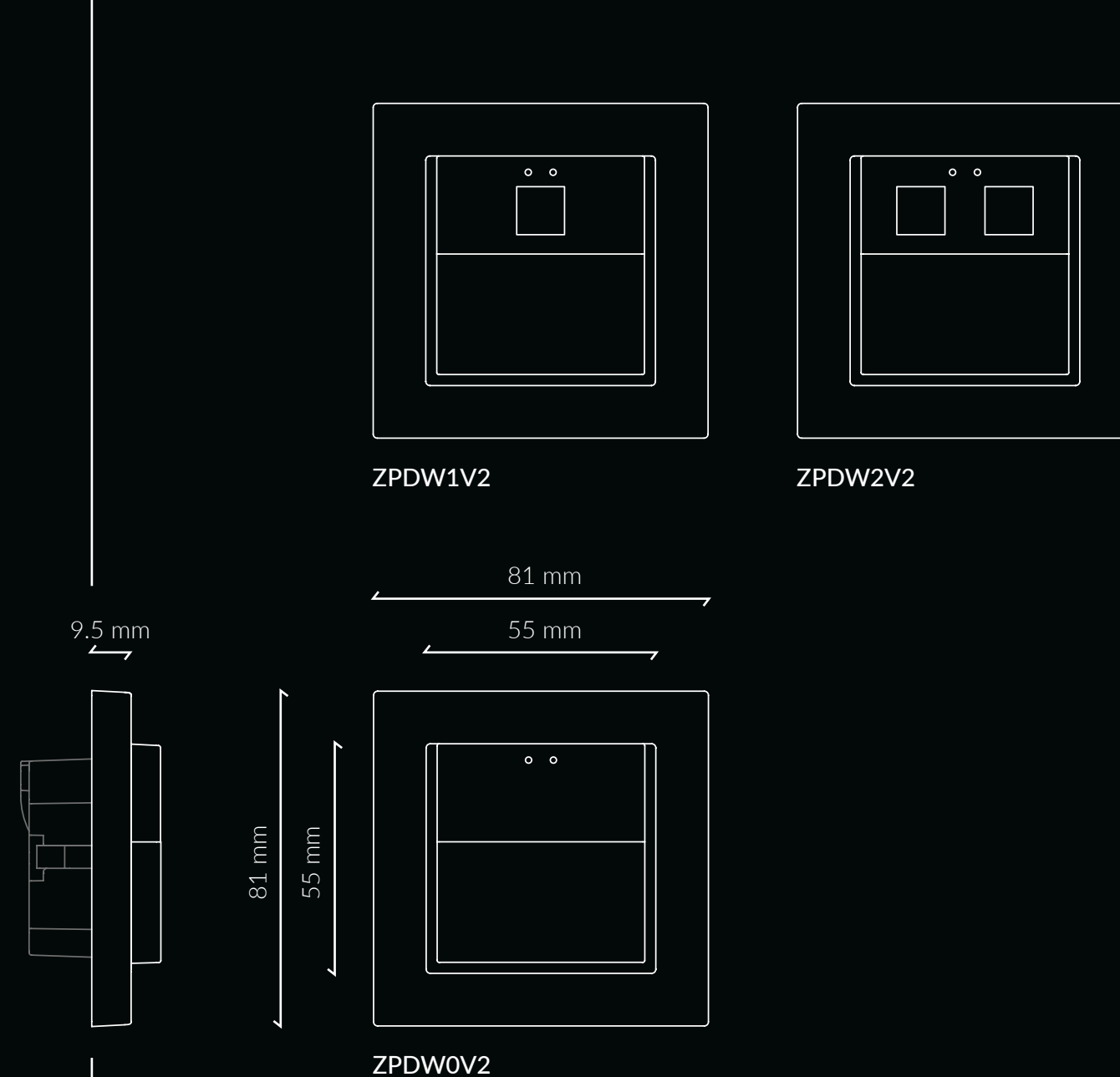
Choose between personalized or standard icons according to your control requirements.





# References and specifications

	Presentia W0	Presentia W1	Presentia W2
Maximum detection length	10 m	10 m	10 m
Detection area	180°	180°	180°
Number of buttons	-	1	2
Customizable backlit icons	-	✓	✓
Luminosity sensor for brightness automatic adjustment	✓	✓	✓
Proximity sensor	-	✓	✓
Installation in European standard mounting box	✓	✓	✓
Installation in Italian, American or Australian standard mounting box	-	-	-
Combination with 55x55 series switches and sockets	✓	✓	✓
3 colours available (anthracite/silver/white)	✓	✓	✓





# Switches and sockets

ZS55

Complete your smart home installation with the electrical accessories that better combine with the touch panels, displays and touch switches. With timeless designs and flush-fitted into the frames. Combine them as you wish.

# Sockets



Schuko



French



Euro-American



Single push-button



Double push button

# Switches



# USB Charger



Double USB charger

82  
Switches and sockets

# Data outlets



Single RJ45



Double RJ45

83  
Switches and sockets

# Multimedia outlets



3.5 mm Jack and RCA



# TV-R Aerial



# Accessories



Blind cover and cable outlet

# Frames



1, 2, 3 and 4-module frames





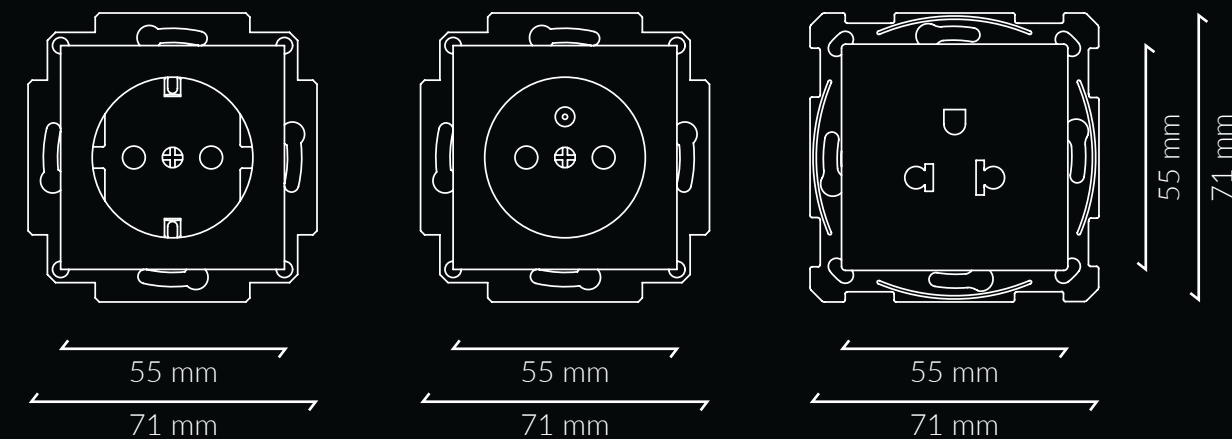
# References and specifications

	Schuko
Schuko socket insert 16 A / 250 V ~ - screw terminals (without cover 8300004xx)	8300003
Schuko socket cover 55x55 mm - Anthracite	830000405
Schuko socket cover 55x55 mm - Silver	830000406
Schuko socket cover 55x55 mm - White	830000407
Schuko socket cover 55x55 mm - Gloss White	830000408

	French
French socket insert 16 A / 250 V ~ - screw terminals (without cover 8300006xx)	8300005
French socket cover 55x55 mm - Anthracite	830000605
French socket cover 55x55 mm - Silver	830000606
French socket cover 55x55 mm - White	830000607
French socket cover 55x55 mm - Gloss White	830000608

	Euro-American
Euro-American socket insert - screw terminals (without cover 8300002xx)	8300001
Euro-American socket cover 55x55 mm - Anthracite	830000205
Euro-American socket cover 55x55 mm - Silver	830000206
Euro-American socket cover 55x55 mm - White	830000207
Euro-American socket cover 55x55 mm - Gloss White	830000208

	Schuko	French	Euro-American
Colours: anthracite, silver, white and gloss white	✓	✓	✓
Socket type	F	E	Euro-American
Rated current / voltage	16 A / 250 V ~	16 A / 250 V ~	16 A / 127-250 V ~
Maximum cable cross-section	2.5 mm <sup>2</sup>	2.5 mm <sup>2</sup>	2.5 mm <sup>2</sup>
Connection method	Screw terminal block	Screw terminal block	Screw terminal block
Fixing mechanism	With screws. Optional claws	With screws. Optional claws	With screws. Optional claws
Child safety shutter	✓	✓	✓
Norm	IEC 60884-1	IEC 60884-1	-



# References and specifications

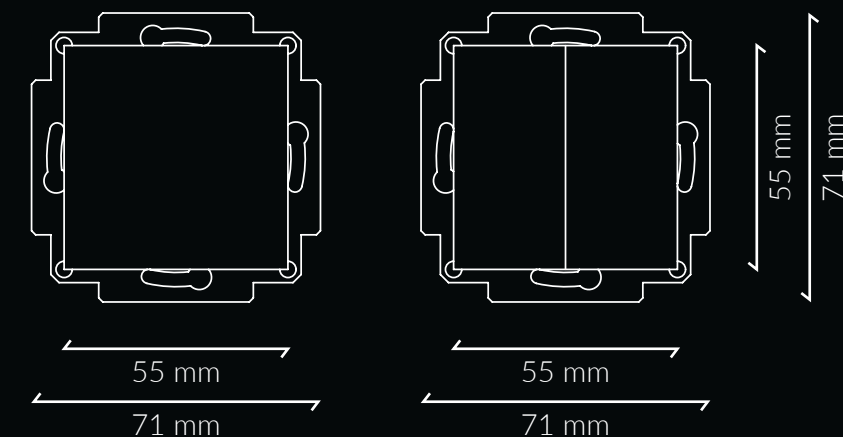
## Single switch / push button

Single one-way rocker switch insert 10 AX / 250 V ~ (without cover 8300017xx)	8300016
Single two-way rocker switch insert 10 AX / 250 V ~ (without cover 8300017xx)	8300031
Single intermediate rocker switch insert 10 AX / 250 V ~ (without cover 8300017xx)	8300032
Single push button switch insert 10 A / 250 V ~ (without cover 8300017xx)	8300033
Single switch cover 55x55 mm - Anthracite	830001705
Single switch cover 55x55 mm - Silver	830001706
Single switch cover 55x55 mm - White	830001707
Single switch cover 55x55 mm - Gloss White	830001708
Single switch cover 55x55 mm - Anthracite - Custom	830004205
Single switch cover 55x55 mm - Silver - Custom	830004206
Single switch cover 55x55 mm - White - Custom	830004207
Single switch cover 55x55 mm - Gloss White - Custom	830004208

## Double switch / push button

Double one-way rocker switch insert 10 AX / 250 V ~ (without cover 8300019xx)	8300018
Double two-way rocker switch insert 10 AX / 250 V ~ (without cover 8300019xx)	8300034
Double push button switch insert 10 A / 250 V ~ (without cover 8300019xx)	8300036
Double switch cover 55x55 mm - Anthracite	830001905
Double switch cover 55x55 mm - Silver	830001906
Double switch cover 55x55 mm - White	830001907
Double switch cover 55x55 mm - Gloss White	830001908
Double switch cover 55x55 mm - Anthracite - Custom	830004405
Double switch cover 55x55 mm - Silver - Custom	830004406
Double switch cover 55x55 mm - White - Custom	830004407
Double switch cover 55x55 mm - Gloss White - Custom	830004408

	Single	Double
Colours: anthracite, silver, white and gloss white	✓	✓
Rated current / voltage	10 AX / 250 V ~	10 AX / 250 V ~
Maximum cable cross-section	2.5 mm <sup>2</sup>	2.5 mm <sup>2</sup>
Connection method	Screw terminal block	Screw terminal block
Fixing mechanism	With screws. Optional claws	With screws. Optional claws
Personalised icons on cover	✓	✓
International standard	IEC 60669-1	IEC 60669-1



# References and specifications

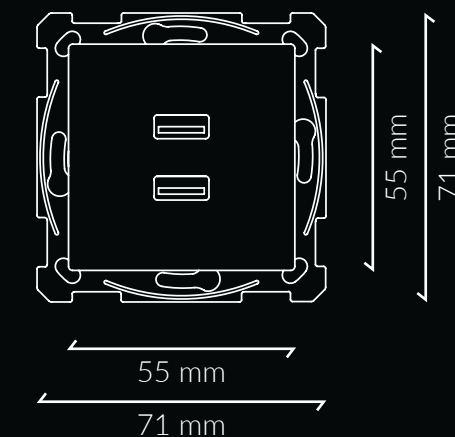
	USB charger
Double USB charger insert 5 V / 3.5 A (without cover 8300008xx)	8300007
Cover plate for double USB charger 55x55 mm - Anthracite	830000805
Cover plate for double USB charger 55x55 mm - Silver	830000806
Cover plate for double USB charger 55x55 mm - White	830000807
Cover plate for double USB charger 55x55 mm - Gloss White	830000808

## Double USB charger

Colours: anthracite, silver, white and gloss white



Input voltage	100 - 240 V ~
Output voltage	5 V DC
Output current	3.5 A (max)
Standby consumption	< 0.05 W
Connection method	Screw terminal block
Fixing mechanism	With screws. Optional claws
Insert type	2 x USB A





# References and specifications

## Single and double RJ45 outlet

RJ45 connector – 1 insert (without keystone and cover 8300012xx)	8300009
RJ45 connector – 2 inserts (without keystone and cover 8300013xx)	8300037
RJ45 Cat. 5e connector - keystone	8300046
RJ45 Cat. 6A connector - keystone	8300047
Cover plate for RJ45 connector 55x55 mm - 1 insert - Anthracite	830001205
Cover plate for RJ45 connector 55x55 mm - 1 insert - Silver	830001206
Cover plate for RJ45 connector 55x55 mm - 1 insert - White	830001207
Cover plate for RJ45 connector 55x55 mm - 1 insert - Gloss White	830001208
Cover plate for RJ45 connector 55x55 mm - 2 inserts - Anthracite	830001305
Cover plate for RJ45 connector 55x55 mm - 2 inserts - Silver	830001306
Cover plate for RJ45 connector 55x55 mm - 2 inserts - White	830001307
Cover plate for RJ45 connector 55x55 mm - 2 inserts - Gloss White	830001308

RJ45 Single

RJ45 Double

Colours: anthracite, silver, white and gloss white



Connection method

Crimped

Crimped

Fixing mechanism

With screws. Optional claws

With screws. Optional claws

Internal connection fixing

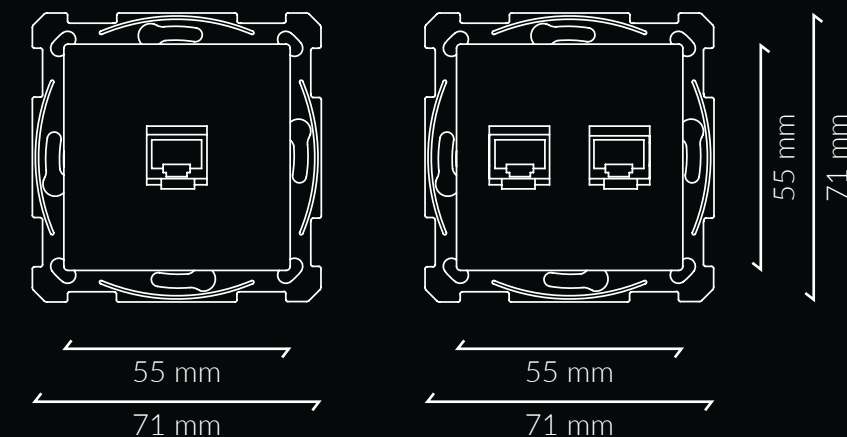
Keystone

Keystone

Norms

EN55022, EN55024, IEC61000-4-5

EN55022, EN55024, IEC61000-4-5



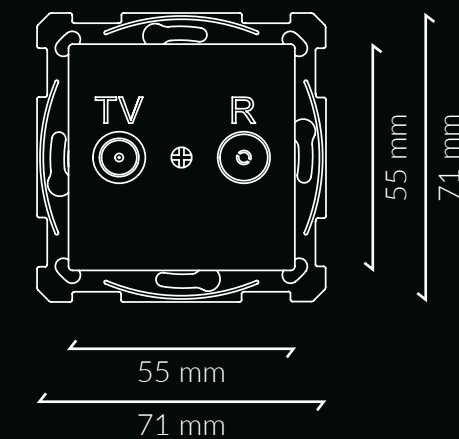
# References and specifications

	TV-R/AERIAL
TV-R - Intermediate insert (without cover 8300015xx)	8300014
TV-R - End-of-line insert (without cover 8300015xx)	8300040
TV-R/SAT - End-of-line insert (without cover 8300015xx)	8300048
Cover plate for TV/R insert 55x55 mm - Anthracite	830001505
Cover plate for TV/R insert 55x55 mm - Silver	830001506
Cover plate for TV/R insert 55x55 mm - White	830001507
Cover plate for TV/R insert 55x55 mm - Gloss White	830001508

## TV-R

Colours: anthracite, silver, white and gloss white

	✓
Diameter	12.5 mm
Frequency range	5-2400 MHz
Connection method	Screw
Fixing mechanism	With screws or clamps (included)
Norms	EN60728-11, EN50083-2 + A1, EN50581



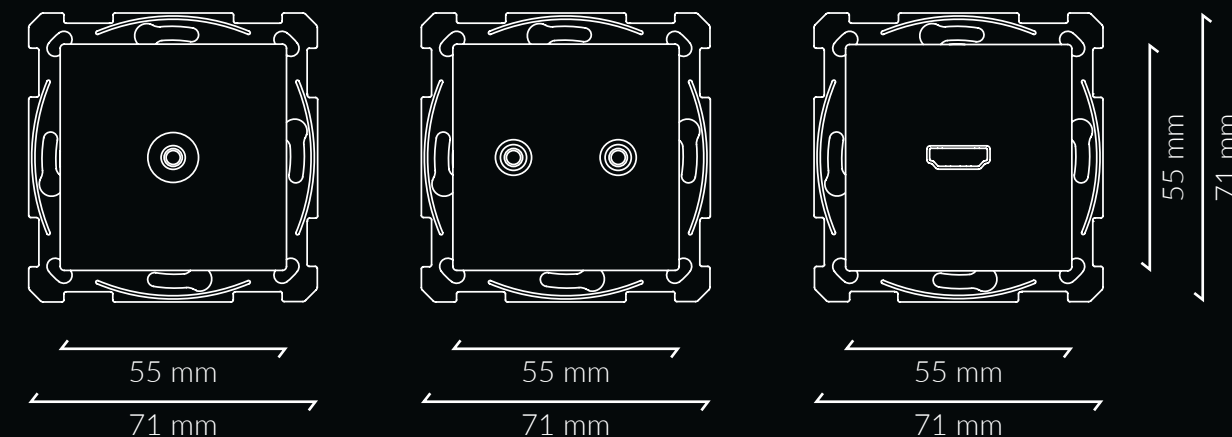
# References and specifications

	Jack 3.5 mm
HDMI or Jack 3.5 mm insert support (without keystone and cover 8300025xx/8300027xx)	8300024
Jack 3.5 mm audio keystone	8300050
Cover for jack 3.5 mm insert 55x55 mm - Anthacite	830002705
Cover for jack 3.5 mm insert 55x55 mm - Silver	830002706
Cover for jack 3.5 mm insert 55x55 mm - White	830002707
Cover for jack 3.5 mm insert 55x55 mm - Gloss White	830002708

	RCA
RCA audio insert (without keystones and cover 8300023xx)	8300022
RCA audio keystones	8300051
Cover for RCA insert 55x55 mm - Anthracite	830002305
Cover for RCA insert 55x55 mm - Silver	830002306
Cover for RCA insert 55x55 mm - White	830002307
Cover for RCA insert 55x55 mm - Gloss White	830002308

	HDMI
HDMI or Jack 3.5 mm insert support (without keystone and cover 8300025xx/8300027xx)	8300024
HDMI keystone	8300049
Cover for HDMI insert 55x55 mm - Anthracite	830002505
Cover for HDMI insert 55x55 mm - Silver	830002506
Cover for HDMI insert 55x55 mm - White	830002507
Cover for HDMI insert 55x55 mm - Gloss White	830002508

	Jack 3.5 mm	RCA	HDMI
Colours: anthracite, silver, white and gloss white	✓	✓	✓
Connector type	Female	Female	Female (I/O)
Connection method	Screw	Screw	HDMI
Fixing mechanism	With screws. Optional claws	With screws. Optional claws	With screws. Optional claws
Internal connection fixing	Keystone	Keystone	Keystone
Norms	CE	CE	EN55022, EN55024 and IEC61000-4-5





# References and specifications

## Cable outlet

Cable outlet insert (without cover 8300021xx)	8300020
Cable outlet cover 55x55 mm - Anthracite	830002105
Cable outlet cover 55x55 mm - Silver	830002106
Cable outlet cover 55x55 mm - White	830002107
Cable outlet cover 55x55 mm - Gloss White	830002108

## Blind cover

Metallic plate for ZS55 family	8300035
Blind cover 55x55 mm - Anthracite. Metallic plate (8300035) is needed but not included	830002805
Blind cover 55x55 mm - Silver. Metallic plate (8300035) is needed but not included	830002806
Blind cover 55x55 mm - White. Metallic plate (8300035) is needed but not included	830002807
Blind cover 55x55 mm - Gloss White. Metallic plate (8300035) is needed but not included	830002808

Colours: anthracite, silver, white and gloss white

Fixing mechanism

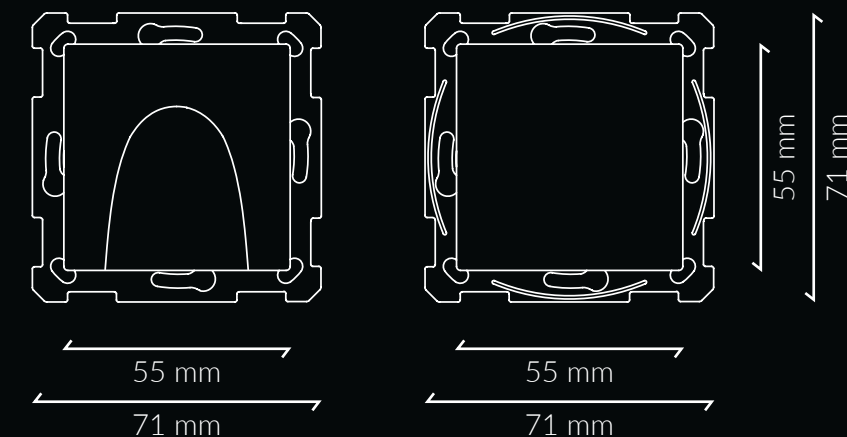
Cable outlet

Blind cover



With screws. Optional claws

With screws. Optional claws



# References and specifications

## 1-gang

1-gang Frame - Anthracite	980000105
1-gang Frame - Silver	980000106
1-gang Frame - White	980000107
1-gang Frame - Gloss White	980000108

## 2-gang

2-gang Frame - Anthracite	980000205
2-gang Frame - Silver	980000206
2-gang Frame - White	980000207
2-gang Frame - Gloss White	980000208

## 3-gang

3-gang Frame - Anthracite	980000305
3-gang Frame - Silver	980000306
3-gang Frame - White	980000307
3-gang Frame - Gloss White	980000308

## 4-gang

4-gang Frame - Anthracite	980000405
4-gang Frame - Silver	980000406
4-gang Frame - White	980000407
4-gang Frame - Gloss White	980000408

## Frames

Colours: anthracite, silver, white and gloss white

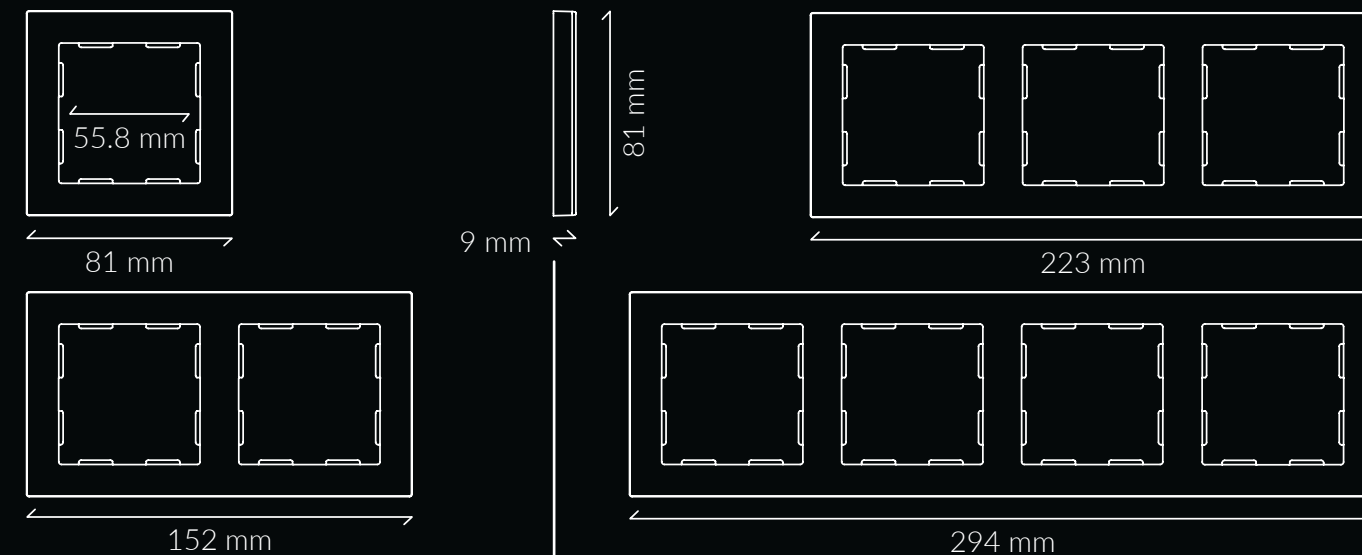
✓

Flush finish with ZS55 series switches and accessories

✓

Portrait or landscape position

✓





# Video Intercom

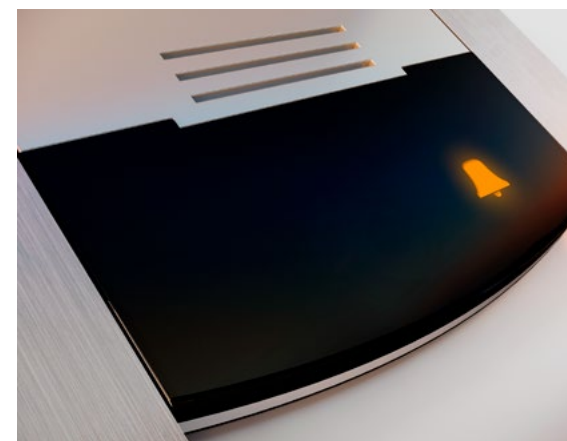
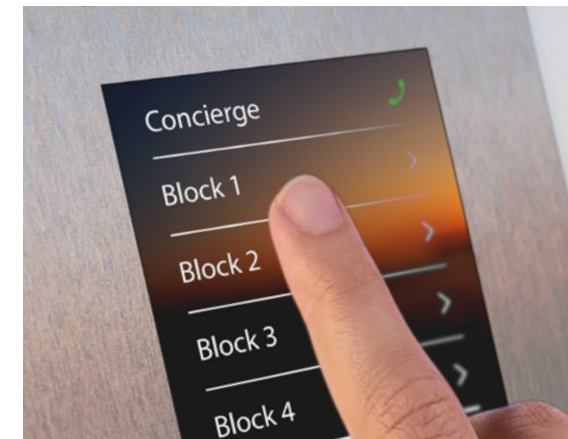
## GetFace IP

The video intercom solution is ideal for any type of building, from single to multi-dwelling, student residences, hotels and office buildings. Adapt it to the building requirements thanks to its modular structure. Fully integrated into the smart home touch panels.



## Fully secured access

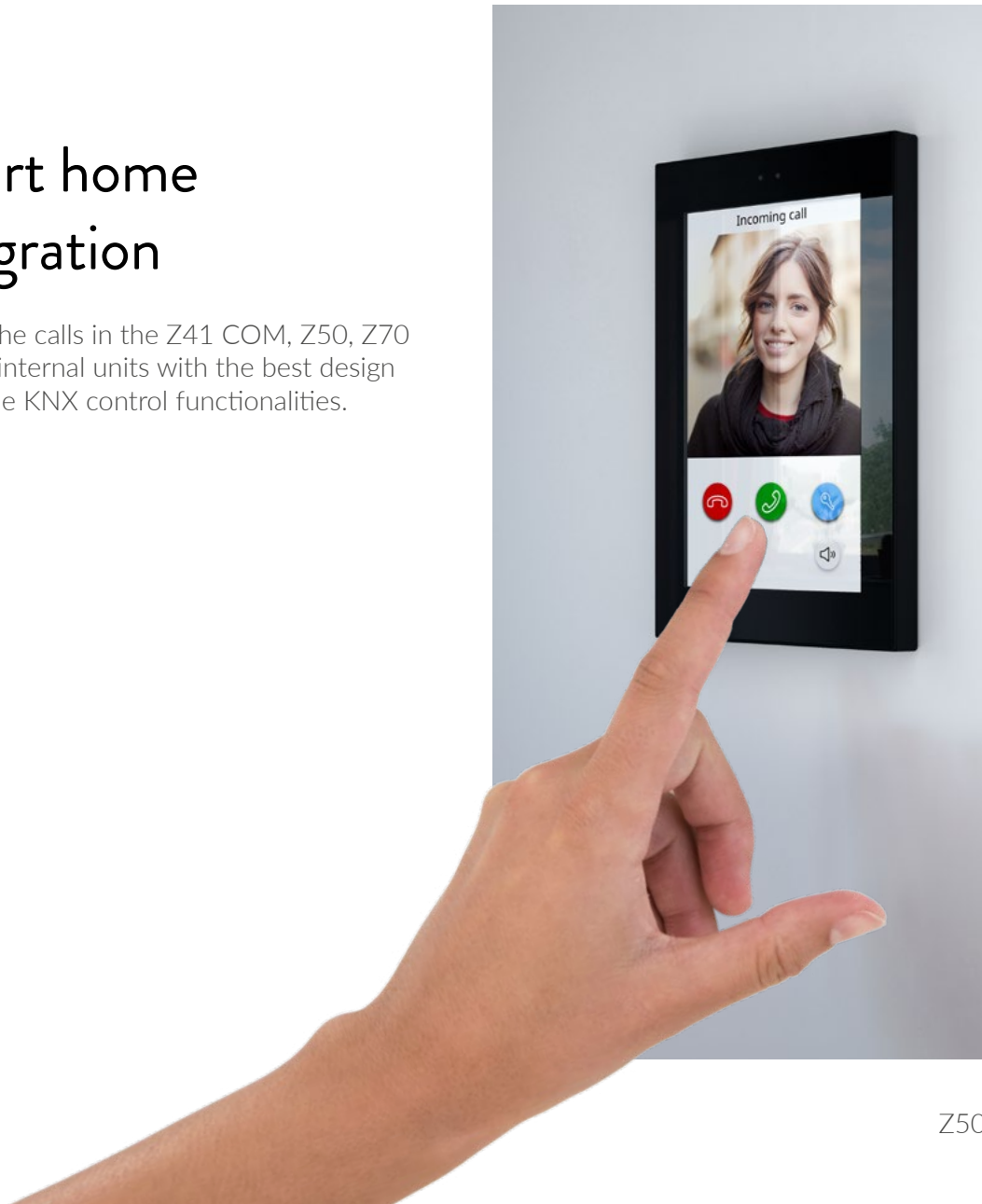
Make sure who is calling before opening thanks to the outdoor station with HR camera and IR light for night vision. Pick the required modules according to the type of building and the access features: call buttons, keypad, touch panel, RFID card access or even Bluetooth® access.





# Smart home integration

Pick-up the calls in the Z41 COM, Z50, Z70 or Z100 internal units with the best design and all the KNX control functionalities.



Z50



Z41 COM



Z70



Z100





## Answer the call wherever you are

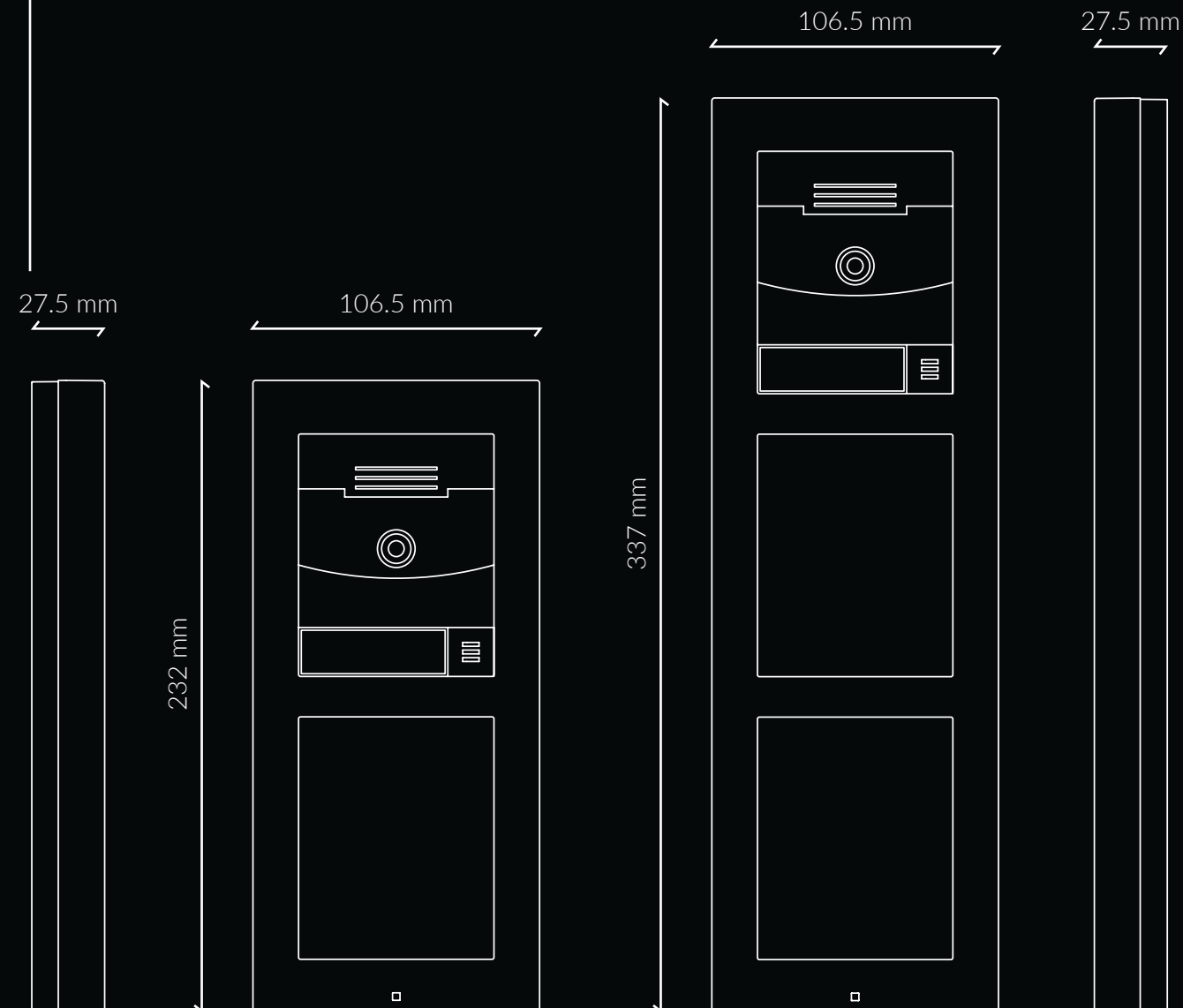
With ZenCom app you can answer video intercom calls in your mobile device, any time, anywhere. You can see who is calling before answering and grant access to the people you trust.



# References and specifications

	Surface installation
GetFace IP - Surface installation - Frame - 1 module - Nickel/Black	ZVP-CB1M / ZVPCB1MB
GetFace IP - Surface installation - Frame - 2 modules - Nickel/Black	ZVP-CB2M / ZVPCB2MB
GetFace IP - Surface installation - Frame - 3 modules - Nickel/Black	ZVP-CB3M / ZVPCB3MB
GetFace IP - Surface installation - Backplate - 1 module	ZVP-BPLA1
GetFace IP - Surface installation - Backplate - 2 modules	ZVP-BPLA2
GetFace IP - Surface installation - Backplate - 3 modules	ZVP-BPLA3
GetFace IP - Surface installation - Backplate - 2(w) x 2(h) modules	ZVP-BP2W2H
GetFace IP - Surface installation - Backplate - 2(w) x 3(h) modules	ZVP-BP2W3H
GetFace IP - Surface installation - Backplate - 3(w) x 3(h) modules	ZVP-BP3W3H

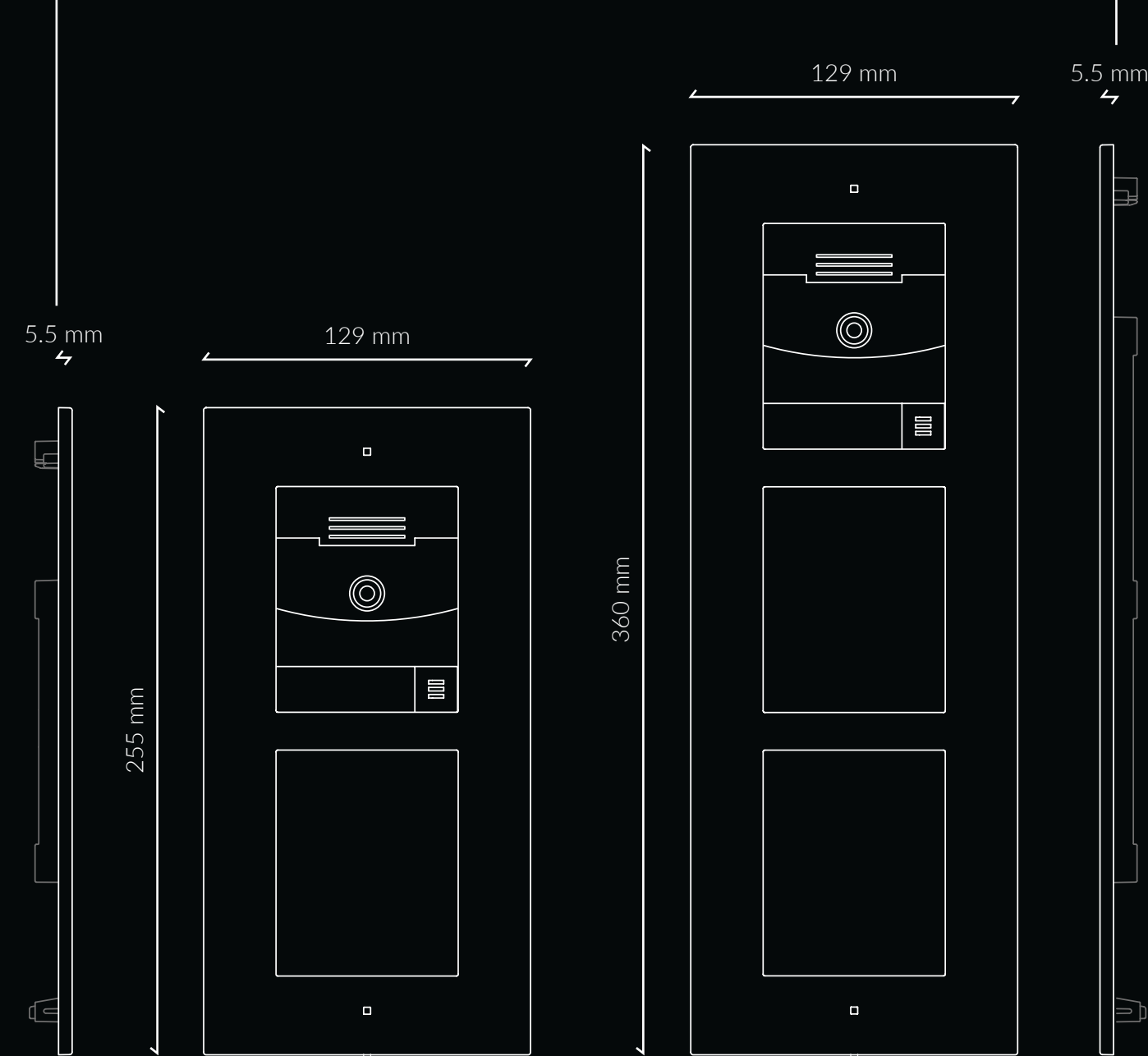
	ZVP-CAM	ZVP-WOCAM
HR 1280 x 960 px camera (angles 120°h, 90°V, 145°D)	✓	-
Night vision with IR light	✓	-
2W Speaker with LINEOUT (1VRMS) output	✓	✓
Microphone	✓	✓
Power supply: 12 VDC/2 A or PoE 48 VDC/0.32 A	✓	✓
Connection of additional modules	✓	✓
Configurable input (-30...30 VDC)	✓	✓
Active output (8-12 VDC/400 mA)	✓	✓
Relay output (30 V/1 A AC/DC)	✓	✓
Protection degree: IP54	✓	✓



# References and specifications

	Flush installation
GetFace IP - Flush installation - Frame - 1 module - Nickel/Black	ZVP-FFRA1 / ZVPPFRA1B
GetFace IP - Flush installation - Frame - 2 modules - Nickel/Black	ZVP-FFRA2 / ZVPPFRA2B
GetFace IP - Flush installation - Frame - 3 modules - Nickel/Black	ZVP-FFRA3 / ZVPPFRA3B
GetFace IP - Flush installation - Box - 1 module	ZVP-FBOX1
GetFace IP - Flush installation - Box - 2 modules	ZVP-FBOX2
GetFace IP - Flush installation - Box - 3 modules	ZVP-FBOX3

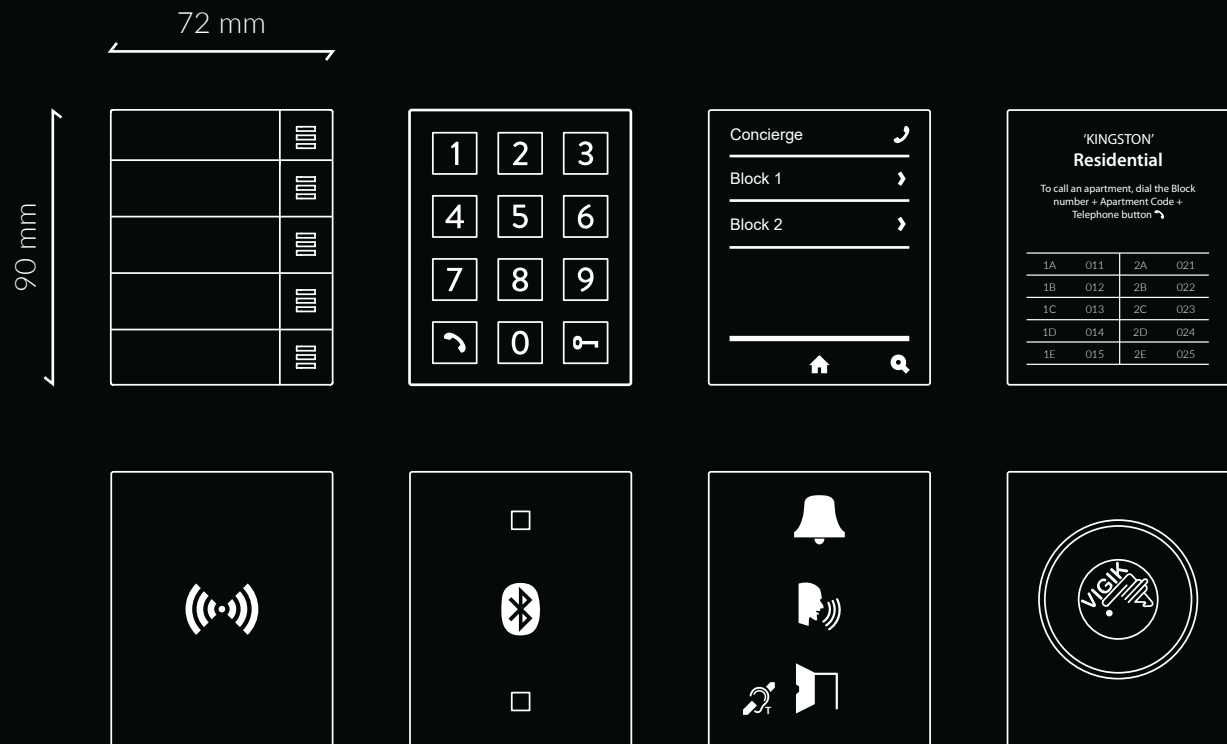
	ZVP-CAM	ZVP-WOCAM
HR 1280 x 960 px camera (angles 120°h, 90°V, 145°D)	✓	-
Night vision with IR light	✓	-
2W Speaker with LINEOUT (1VRMS) output	✓	✓
Microphone	✓	✓
Power supply: 12 VDC/2 A or PoE 48 VDC/0.32 A	✓	✓
Connection of additional modules	✓	✓
Configurable input (-30...30 VDC)	✓	✓
Active output (8-12 VDC/400 mA)	✓	✓
Relay output (30 V/1 A AC/DC)	✓	✓
Protection degree: IP54	✓	✓



# References and specifications

## Modules / accessories

GetFace IP – 5-button module	ZVP-NAME5
GetFace IP – Keypad module	ZVP-KEYPAD
GetFace IP – Keypad module - Black	ZVPKEYPADB
GetFace IP – Touch display	ZVP-TOUCHD
GetFace IP – Info panel	ZVP-INFOP
GetFace IP – RFID card reader (cards not included)	ZVPRFSMNV2
GetFace IP – Bluetooth® module	ZVP-BLUET
GetFace IP – Induction loop module	ZVP-ILOOP
GetFace IP – Vigik module	ZVP-VIGM
GetFace IP - I/O module	ZVP-INOUT
GetFace IP - Tamper switch	ZVP-ACTAM
GetFace IP – Security relay	ZVP-ACSR
GetFace IP – Blind panel	ZVP-ACBLP
GetFace IP – Blind button	ZVP-ACBLB







IDAC



IWAC Display



IWAC Out

# Access control

Z-Access

IDAC - IWAC Display - IWAC Out

We had a wish list...  
and we made it happen!

- Appealing door readers, customizable if possible
- Access control that works offline: in case there is no network or comms are down
- We want to know if guests are in the room without having to knock on the door
- We need to know if the guest has selected "Do not disturb" or "make up room" from outside the room
- Integrated doorbell

Anything else? All you have to do is ask!

# IDAC

The aesthetics of our door-mounted access control - In Door Access Control - is one of the keys of its success: 9 mm of pure elegance.

It is also the perfect ally for your housekeeping staff, as it can show whether the guest is in the room or not without knocking, as well as the "do not disturb" or "make up room" status.





# IWAC Display

Free the door from the weight of any access control hardware thanks to IWAC Display, a device that can also display the room number and the "do not disturb" or "make up room" status selected by the guest.



IWAC Display installed in the luxurious Boutique Boho Club hotel (Marbella - Spain).

# Customization is the key

In any interior design project all the elements in a room must maintain aesthetics, colours and shapes cohesion... IWAC Display is the only access control option thanks to its tempered glass printed customization.





# IWAC Out

A waterproof version of IWAC.

This outdoor version is not only weather and impact resistant, but it is also KNX Secure for a secure communication via the KNX bus.





# Z-Access

Everything under control thanks to Z-Access, our card writing and Bluetooth® key generating software. Z-Access allows room access reports for guests and staff, know who has written new cards or cancel existing keys so they are no longer valid.

Z-Access communicates with all door readers, IDAC and IWAC, and, magic! It can work offline.







Online check-in?  
Bluetooth® access?

Yes, thanks to Zennio Key

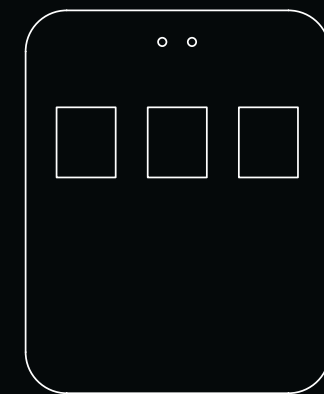
Getting to a hotel and avoiding queues at reception just to pick up your keys is everybody's dream. We make it possible thanks to Bluetooth® opening, which allows guests to receive their room keys in their phones before they get to the hotel.





# References and specifications

	IDAC	IWAC Display	IWAC Out
Backlit icons	✓	✓	-
2.4" OLED display	-	✓	-
Installation in European or British standard mounting box	-	✓	-
Available colours	Anthracite, silver and white	Anthracite, silver and white	Anthracite and white
Customizable	-	✓	-
Number of buttons	3	3	1
2 analogue-digital inputs	-	✓	-



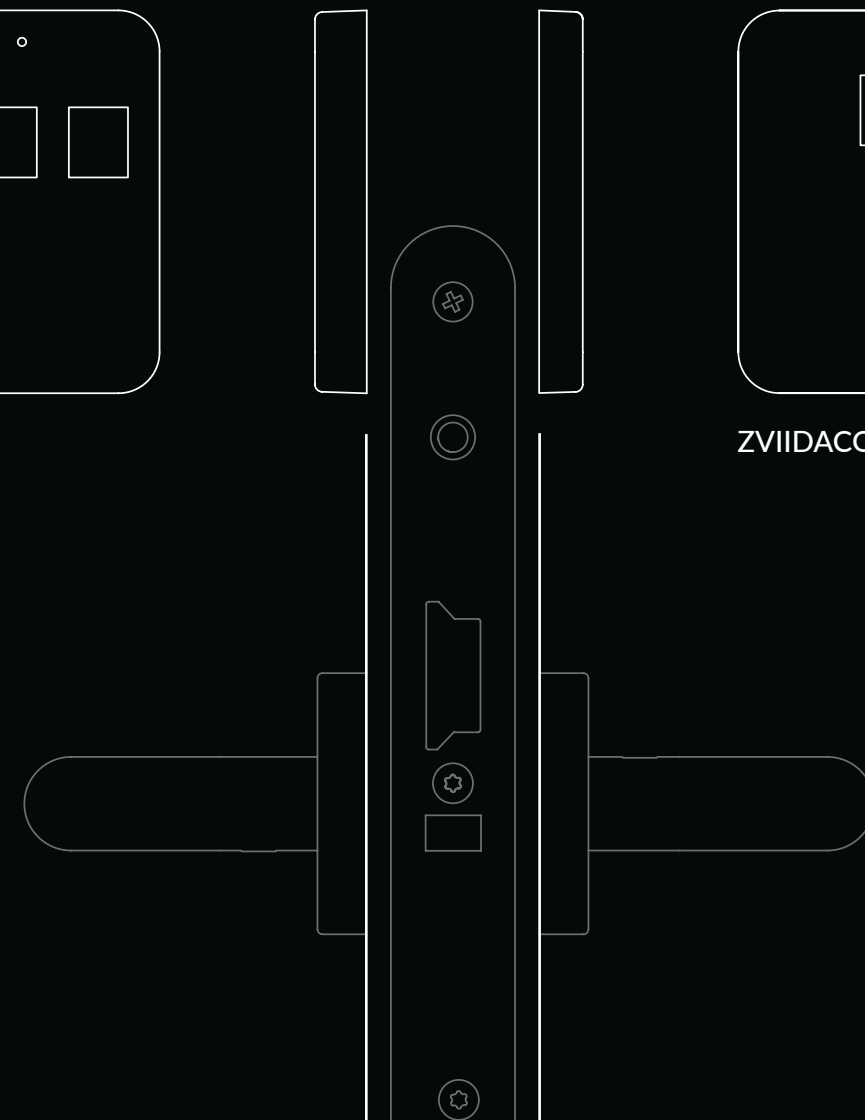
ZVIIDACIN

10.5 mm

9 mm

62 mm

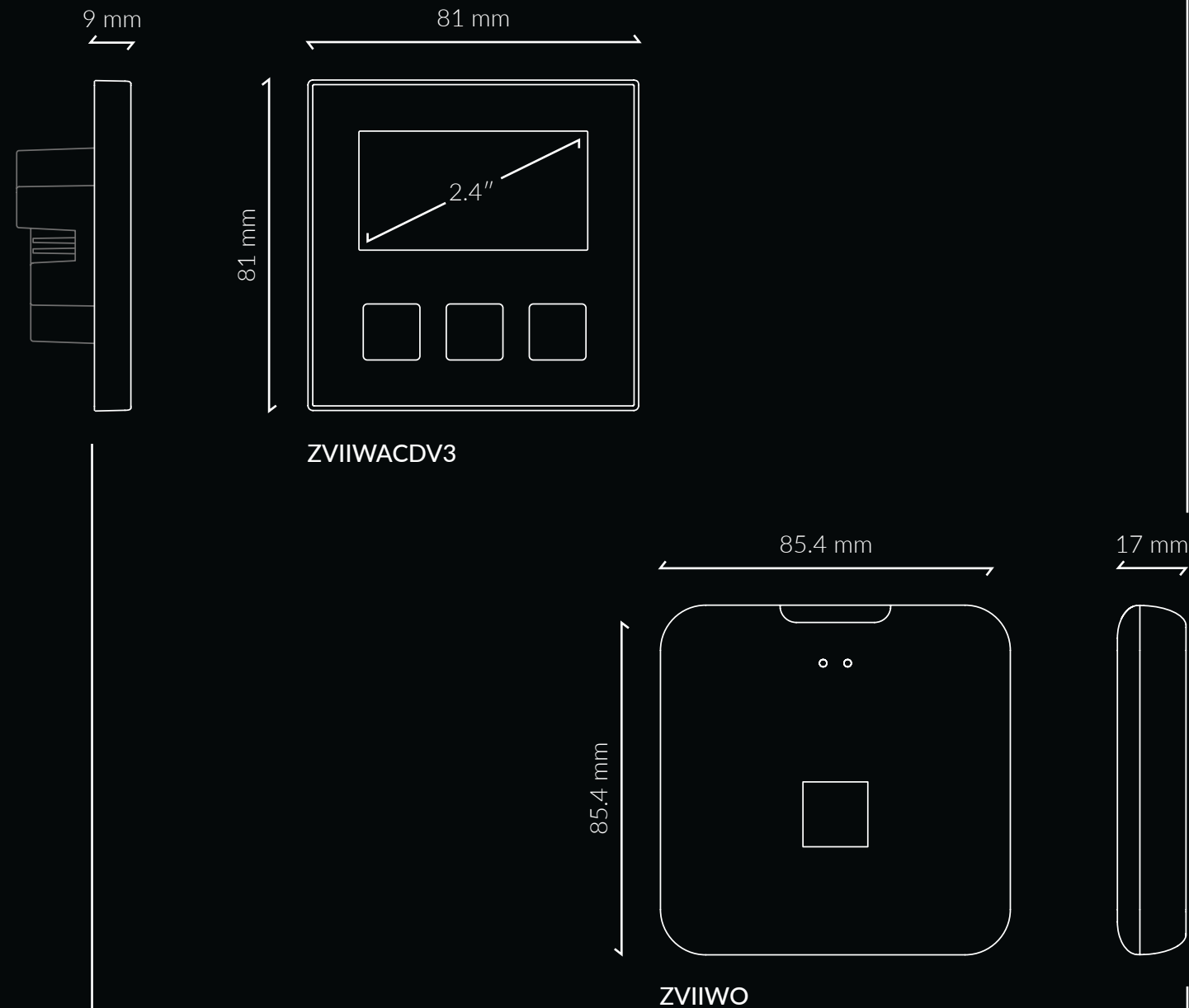
78 mm



ZVIIDACOUT

# References and specifications

	IDAC	IWAC Display	IWAC Out
Backlit icons	✓	✓	-
2.4" OLED display	-	✓	-
Installation in European or British standard mounting box	-	✓	-
Available colours	Anthracite, silver and white	Anthracite, silver and white	Anthracite and white
Customizable	-	✓	-
Number of buttons	3	3	1
2 analogue-digital inputs	-	✓	-





# Actuators

## Where the magic is done

A complete range of the most powerful actuators in the market. In the following pages, you will discover the non-visible part of KNX installations.

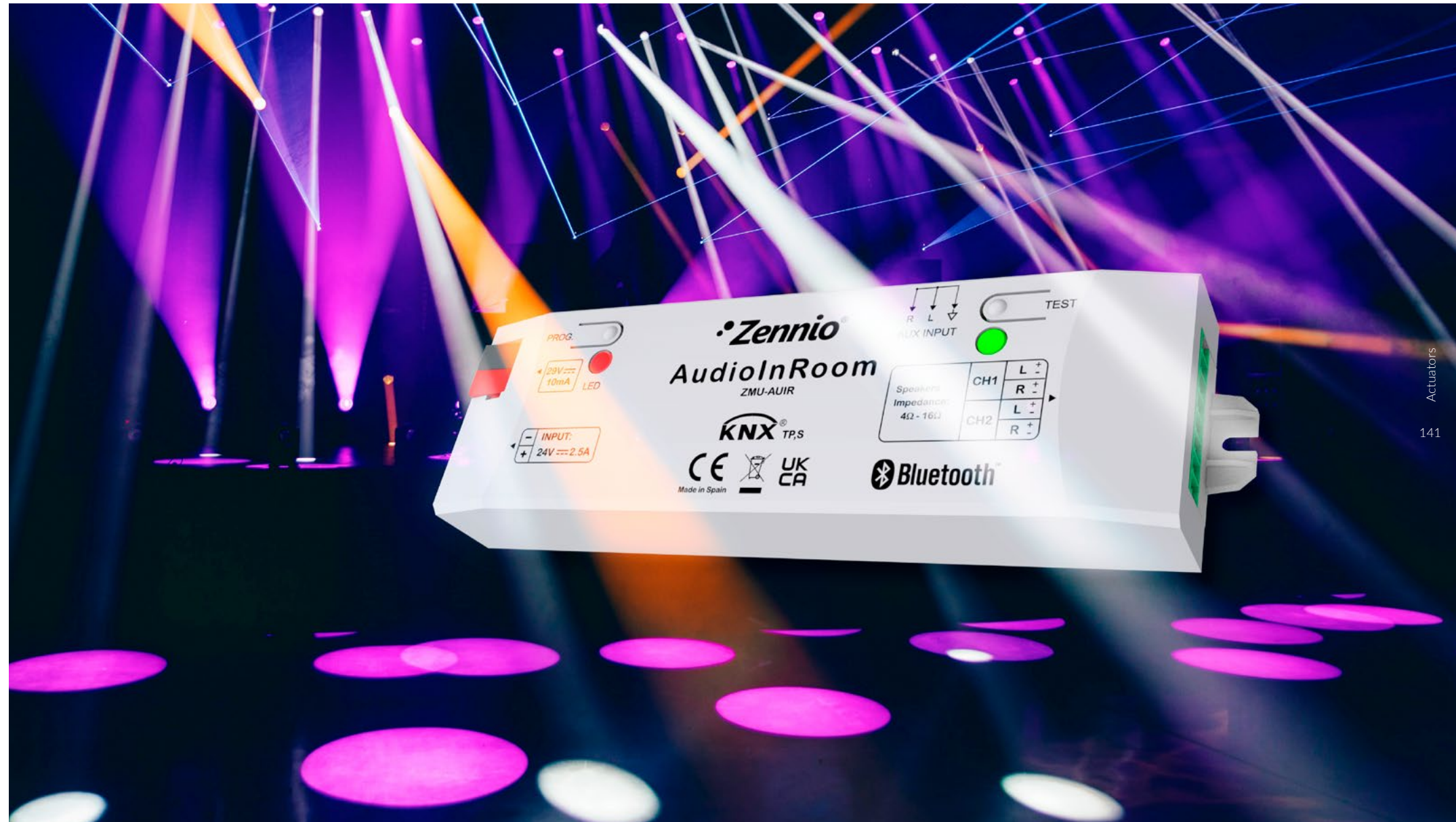
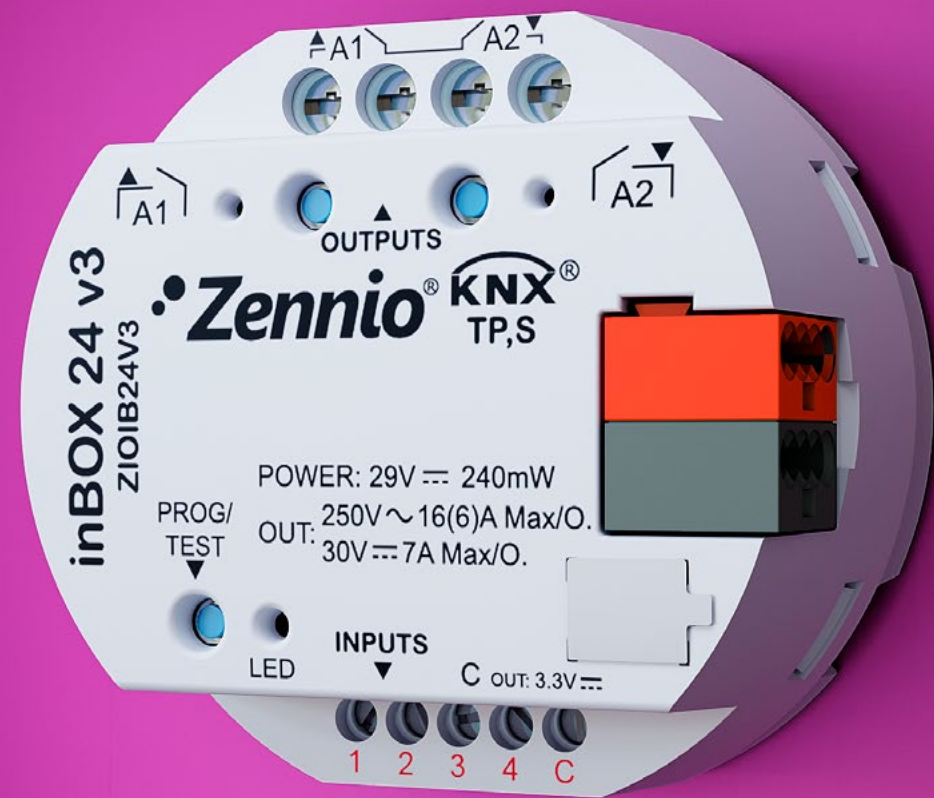
Actuators for HVAC, lighting, shutter control, multifunctional, all-in-one solutions, multimedia, energy monitoring...













## Multifunction actuators

KNX multifunction actuators with outputs to be configured as shutter channel, individual output, or even fan coil actuator.

Models with analogue-digital inputs allow to configure them as multifunction binary inputs, for sensors or potential-free push buttons, as inputs for temperature probes or as inputs for motion sensors. A logical function module is included.

Product	Reference	Outputs	Inputs	Mounting
<b>inBOX 20 v3</b>	ZIOIB20V3	2 (16 A C-Load)	-	Flush
<b>inBOX 24 v3</b>	ZIOIB24V3	2 (16 A C-Load)	4	Flush
<b>MINiBOX 20 v2</b>	ZIOMN20V2	2 (16 A C-Load)	-	2 DIN
<b>MINiBOX 25 v2</b>	ZIOMN25V2	2 (16 A C-Load)	5	2 DIN
<b>MINiBOX 40 v2</b>	ZIOMN40V2	4 (16 A C-Load)	-	2 DIN
<b>MINiBOX 45 v2</b>	ZIOMN45V2	4 (16 A C-Load)	5	2 DIN
<b>MAXinBOX 8 v3</b>	ZIOMB8V3	8 (16 A C-Load)	-	4.5 DIN
<b>MAXinBOX 16 v3</b>	ZIOMB16V3	16 (16 A C-Load)	-	8 DIN
<b>MAXinBOX 24 v2</b>	ZIOMB24V2	24 (16 A C-Load)	-	12 DIN
<b>MAXinBOX 66 v2</b>	ZIOMB66V2	6 (16 A C-Load)	6	4.5 DIN

## All-in-one actuators

Multifunction devices under the all-in-one concept. They include in a single device: KNX power supply, KNX-IP interface, thermostats, logical modules, analogue-digital inputs and outputs which, depending on the model, can be configured as individual outputs, shutters and/or fan coil controller.

Product	Reference	Power supply	Outputs	Inputs	Mounting
<b>ALLinBOX 1612 v2</b>	ZPR1612V2	640 mA	16 (16 A C-Load)	12	12 DIN
<b>ALLinBOX 88</b>	ZPR88	320 mA	8 (16 A C-Load)	8	8 DIN
<b>ALLinBOX 46</b>	ZPR46	160 mA	4 (16 A C-Load)	6	4.5 DIN
<b>ALLinBOX Hospitality</b>	ZPRHP	160 mA	4 (fan coil) + 1 (16 A C-Load)	6	4.5 DIN

## 0-10 V inputs/outputs actuator

Multifunction actuators with 1/2/3 analogue inputs/outputs channels, configurable as 0-10 V outputs, 0-10 V inputs or 4-20 mA inputs. Each channel can be configured individually or jointly to control a 2/4 pipe fan coil in which either the fan, the valves or both are regulated by a 0-10V signal. A logical function module and thermostats are included.

Product	Reference	Description	Mounting
<b>MINiBOX 0-10V X3</b>	ZIO3X010	3 channels 0-10 V outputs/ 0-10V or 4-20 mA inputs	2 DIN
<b>MINiBOX 0-10V X2</b>	ZIO2X010	2 channels 0-10 V outputs/ 0-10V or 4-20 mA inputs	2 DIN
<b>MINiBOX 0-10V X1</b>	ZIO1X010	1 channels 0-10 V outputs/ 0-10V or 4-20 mA inputs	2 DIN

## Shutter actuators

KNX shutter actuators for Din-rail installation. The control is performed through the rise and fall times. They allow manual control of the outputs, and their status can be visualized through the LED indicators. A logical function module is included.

Product	Reference	Description	Mounting
<b>MAXinBOX SHUTTER 4CH v2</b>	ZIOMB4V2	4 shutter channels	4.5 DIN
<b>MAXinBOX SHUTTER 8CH v2</b>	ZIOMB8V2	8 shutter channels	8 DIN
<b>Shutter Coupler 1CH</b>	ZAC-SHUC1C	AC/DC shutter adaptor for 1 channel	2 DIN
<b>Shutter Coupler 2CH</b>	ZAC-SHUC2C	AC/DC shutter adaptor for 2 channels	2 DIN

# Dimmable lighting

Universal dimming actuators (RLC, LED, CFL). Auto load type detection (RLC). Configurable dimming curves for LED and CFL. An independent logical function module is included. Error detection: short circuit, power failure, voltage surge, overheating, anomalous frequency and parameterization error.

Product	Reference	Channels	Power (230 V)	Mounting
<b>DIMinBOX DX4</b>	ZDIDBDX4	4	300 W	8 DIN
<b>NarrowDIM X4</b>	ZDINDX4	4	210 W	4.5 DIN
<b>DIMinBOX DX2</b>	ZDI-DBDX2	2	310 W	4.5 DIN
<b>NarrowDIM X2</b>	ZDINDX2	2	210 W	2 DIN
<b>DIMinBOX DX1</b>	ZDIDBDX1	1	350 W	2 DIN
<b>inBOX DIM</b>	ZDI-IBD	1	250 W	Flush

# LED lighting

LED dimmers (RGBW or single channels) oriented to DC LED technology with constant voltage or constant current regulation through PWM. The dimming channels can be configured as independent channels or 1 RGB(W) channel. They incorporate manual test buttons to check the channels functioning.

Product	Reference	Channels	Dimming	Mounting
<b>Lumento C3</b>	ZDI-RGBCC3	3	Constant current (220 mA - 1 A)	Flush
<b>Lumento C4</b>	ZDI-RGBCC4	4	Constant current (220 mA - 1 A)	Flush
<b>Lumento X3</b>	ZN1DI-RGBX3	3	Constant voltage (12/24 VDC)	Flush
<b>Lumento X4</b>	ZN1DI-RGBX4	4	Constant voltage (12/24 VDC)	Flush
<b>Lumento DX4</b>	ZDI-RGBDX4	4	Constant voltage (12-30 VDC)	4.5 DIN

# DALI lighting

Interfaces for the control of DALI certified lighting through the KNX bus.

DALI broadcast interfaces allow a plug&play configuration without needing to configure anything on the DALI side, whereas DALI-BOX Interface allows to perform the ballasts assignment and creating up to 64 groups (48 single-ballast and 16 multi-ballast).

Product	Reference	Channels	Ballasts per channel	Mounting
<b>DALIBOX Broadcast 4CH</b>	ZDI-DLB4	4	20 (broadcast)	4.5 DIN
<b>DALIBOX Broadcast 6CH</b>	ZDI-DLB6	6	20 (broadcast)	4.5 DIN
<b>DALI-BOX Interface v3</b>	ZDIDLIV3	1	64 (up to 64 groups)	4.5 DIN

# Climate - Heating

KNX actuators for the control of heating valves, such as radiators or underfloor heating.

CLIMATE WATER CIRCUITS				
Product	Reference	Channels	Control voltage	Mounting
<b>HeatingBOX 230V 4X</b>	ZCL-4HT230	4	230 VAC	2 DIN
<b>HeatingBOX 230V 8X</b>	ZCL-8HT230	8	230 VAC	4.5 DIN
<b>HeatingBOX 24V 4X</b>	ZCL-4HT24	4	24 VAC/VDC	2 DIN
<b>HeatingBOX 24V 8X</b>	ZCL-8HT24	8	24 VAC/VDC	4.5 DIN

# Climate - Ventilation

Actuators for the control of ceiling fan units powered at 230 VAC.

CEILING FANS				
Product	Reference	Fanspeeds	Control voltage	Mounting
<b>FANinBOX 110V 1CH</b>	ZCLFB110C1	4	110 VAC	2 DIN
<b>FANinBOX 230V 1CH</b>	ZCLFB230C1	4	230 VAC	2 DIN

# Climate - Zoning

Actuators for zoning ducted air-conditioning systems, which allow the control of motorized 12/24 VDC grilles. The device includes an advanced zoning logic, allowing to send orders to the interface that controls the air generation system according to the status of the zones.

ZONING DUCTED AIR CONDITIONING				
Product	Reference	Zones	Control voltage	Mounting
<b>ZoningBOX 4</b>	ZCL-ZB4	4	12/24 VDC	4.5 DIN
<b>ZoningBOX 6</b>	ZCL-ZB6	6	12/24 VDC	4.5 DIN

# Climate - Fan coil

KNX actuators for the control of 2 and/or 4 pipe fan coil.

In our fan coil actuators range you can find conventional actuators to control on/off valves and fan through relays, as well as controllers with 0-10 V output either for the valve or for the fan.

FAN COIL WITH ON/OFF VALVES AND FAN CONTROLLED THROUGH RELAYS					
Product	Reference	Fan coil units	Type	Inputs	Mounting
<b>MAXinBOX FANCOIL 2CH2P v2</b>	ZCL2FC2PV2	2	2-pipe	-	4.5 DIN
<b>MAXinBOX FANCOIL 4CH2P v2</b>	ZCL4FC2PV2	4	2-pipe	-	8 DIN
<b>MINiBOX 40 v2</b>	ZIOMN40V2	1	2-pipe	-	2 DIN
<b>MINiBOX 45 v2</b>	ZIOMN45V2	1	2-pipe	-	2 DIN
<b>MAXinBOX Hospitality v2</b>	ZCLHP126V2	1	2/4 pipe	6	4.5 DIN
<b>ALLinBOX 1612 v2</b>	ZPR1612V2	1	2/4 pipe	12	12 DIN
<b>ALLinBOX 88</b>	ZPR88	1	2/4 pipe	8	8 DIN
<b>ALLinBOX 46</b>	ZPR46	1	2-pipe	6	4.5 DIN
<b>ALLinBOX Hospitality</b>	ZPRHP	1	2-pipe	6	4.5 DIN

FAN COIL WITH 3-POINT VALVE					
Product	Reference	Fan coil units	Type	Inputs	Mounting
<b>MAXinBOX Hospitality v2</b>	ZCLHP126V2	1	2/4 pipe	6	4.5 DIN
<b>ALLinBOX 1612 v2</b>	ZPR1612V2	1	2/4 pipe	12	12 DIN
<b>ALLinBOX 88</b>	ZPR88	1	2/4 pipe	8	8 DIN

FAN COIL WITH 0-10 VDC CONTROL					
Product	Reference	Fan coil units	Type	Control 0-10 V	Mounting
<b>MAXinBOX FC 0-10V FAN</b>	ZCL-FC010F	2	2/4 pipe	Fan	4.5 DIN
<b>MAXinBOX FC 0-10V VALVE</b>	ZCL-FC010V	1	2/4 pipe	Valve	4.5 DIN
<b>MINiBOX 0-10V X3</b>	ZIO3X010	3	2/4 pipe	Both	2 DIN
<b>MINiBOX 0-10V X2</b>	ZIO2X010	2	2/4 pipe	Both	2 DIN
<b>MINiBOX 0-10V X1</b>	ZIO1X010	1	2/4 pipe	Both	2 DIN



# Climate - Air conditioning

Bidirectional climate interfaces that allow the control of indoor units of the main climate manufacturers in the market from the KNX system.

BIDIRECTIONAL CONTROL OF AIR CONDITIONING UNITS				
Product	Reference	Control range	Inputs	Mounting
<b>KLIC-DD v3</b>	ZCLDDV3	Daikin - Domestic range	2	Flush
<b>KLIC-DI V2</b>	ZCLDIV2	Daikin - Industrial range	2	2 DIN
<b>KLIC-MITT v2</b>	ZCLMITTV2	Mitsubishi Electric	2	Flush
<b>KLIC-LG1</b>	ZCL-LG1	LG	3	Flush
<b>KLIC-FJ</b>	ZCL-FJ	Fujitsu, General, Hiyasu y Fuji Electric	3	Flush
<b>KLIC-TS</b>	ZCL-TS	Toshiba	3	Flush
<b>KLIC-PA</b>	ZCLPA	Panasonic	3	Flush
<b>KLIC-SG</b>	ZCLSG	Samsung (industrial & VRF)	2	2 DIN
UNIDIRECTIONAL CONTROL OF AIR CONDITIONING UNITS				
Product	Reference	Control range	Inputs	Mounting
<b>IRSC</b>	ZN1CL-IRSC	All brands	-	Flush

# Universal interfaces

KNX universal interfaces with channels configurable as binary inputs and/or LED outputs. Binary inputs can be configured as sensors, switches or potential-free push buttons. Binary outputs can be used for low current LED control.

Product	Reference	Description	Mounting
<b>BIN 2X</b>	ZIO-BIN2X	2 binary inputs/LED outputs	Flush
<b>BIN 4X</b>	ZIO-BIN4X	4 binary inputs/LED outputs	Flush
<b>BIN 44</b>	ZIO-BIN44	4 binary inputs + 4 LED outputs LED	Flush

# Multifunction inputs

Analogue-digital inputs modules, which can be configured as multifunction binary inputs, as inputs for temperature probes or as inputs for connecting motion sensors. Thermostats are included.

Product	Reference	Inputs	Thermostats	Mounting
<b>QUAD Plus</b>	ZIO-QUADP	4	4	Flush
<b>RailQUAD 8</b>	ZIO-RQUAD8	8	8	2 DIN

# Climate - Aerothermal systems

Bidirectional communication interfaces for the integration of aerothermal units into the KNX installation.

BIDIRECTIONAL CONTROL OF AEROTHERMAL UNITS				
Product	Reference	Control range	Inputs	Mounting
<b>KLIC-DA V2</b>	ZCLDAV2	Daikin - Altherma and Altherma 3 LT	2	2 DIN
<b>KLIC-MITTE</b>	ZCLMITTE	Mitsubishi Electric - Ecodan	2	Flush

## Sensors - Presence/motion sensors

Motion and presence sensors for wall or ceiling mounting.

It is possible to restrict the motion detection depending on the ambient luminosity, except for the RF motion sensors which, in return, count with the great advantage of no requiring wiring.

Product	Reference	Luminosity	Installation	Range (Ø)	BCU KNX
<b>Presentia C v2</b>	ZPDC30LV2	Yes	Ceiling	30 m	Yes
<b>Presentia W0</b>	ZPDW0	Yes	Wall	10 m	Yes
<b>EyeZen TP v2</b>	ZPDEZTPV2	Yes	Ceiling	6 m	Yes
<b>EyeZen IN</b>	ZPDEZIN	Yes	Ceiling	6 m	-
<b>EyeZen RF 868</b>	ZPDEZRF868	-	Ceiling	6 m	Yes (RF)
<b>EyeZen RF 915</b>	ZPDEZRF915	-	Ceiling	6 m	Yes (RF)

## Sensors - Temperature and humidity sensors

Temperature sensors, indispensable accessory in a room for the correct climate regulation. Connected to analogue-digital inputs of our KNX devices, or use Flat Sensato, directly connected to the KNX bus, including humidity measurement.

Product	Reference	Description	BCU KNX
<b>Flat Ambient</b>	ZACFAT	Temperature sensor	-
<b>SQ-Ambient</b>	ZAC-SQAT	Temperature sensor	-
<b>Flat Sensato v2</b>	ZSFSENV2	Temperature and humidity sensor	Yes
<b>NTC temperature probe</b>	ZACNTC	NTC temperature probe	-
<b>Temperature probe - mini NTC</b>	9900015	10K NTC temperature sensor	-

## Sensors - Door/window sensors

KNX-RF sensors for wireless installation in doors or windows, which notify the KNX bus when the door/window is open or closed.

Product	Reference	Description	BCU KNX
<b>WinDoor RF</b>	ZRFWD	KNX RF door/window sensor (868 MHz)	Yes (RF)
<b>WinDoor RF 915</b>	ZRFWD915	KNX RF door/window sensor (915 MHz)	Yes (RF)

## Multimedia

IRSC Open allows the integration of audio/video equipment into the KNX installation, acting as an IR remote controller.

AudioInRoom is an audio system for playing music via bluetooth for up to two rooms, with auxiliary input.

Product	Reference	Description
<b>AudioInRoom</b>	ZMU-AUIR	KNX audio controller with Bluetooth and auxiliary input. 4 Outputs (10W)
<b>IRSC OPEN</b>	ZN1CL-IRSC	Infrared audio/video controller

## Energy saving

Interfaces for monitoring the consumption in the installations. They can measure electrical consumption, gas or water consumption or energetic consumption.

Product	Reference	Description	Mounting
<b>KCI</b>	ZRX-KCI4S0	KNX interface for 4 consumption meters with S0 pulses	2 DIN
<b>KES Plus</b>	ZIO-KESP	KNX electrical energy meter	2 DIN
<b>KEM</b>	ZEMKEM	KNX energy monitor	4.5 DIN

# KNX system elements

Indispensable elements for a correct functioning of the KNX installation: KNX universal power supplies (110/230 VAC) and auxiliary output, KNX-IP and KNX-USB secure interfaces for programming and monitoring, with extended frames for shorter downloads (APDU > 240 bytes), line couplers and KNX-RF media couplers.

Product	Reference	Description	Mounting
<b>KUPSupply 160mA</b>	ZPSU160	KNX universal power supply 160mA with 29VDC auxiliary output	2 DIN
<b>KUPSupply 320mA</b>	ZPSU320	KNX universal power supply 320mA with 29VDC auxiliary output	4.5 DIN
<b>KUPSupply 640mA</b>	ZPSU640	KNX universal power supply 640mA with 29VDC auxiliary output	4.5 DIN
<b>Linecoupler CL</b>	ZSYLCCL	KNX linecoupler	2 DIN
<b>KNX USB SC</b>	ZSYUSBSC	KNX-USB interface	2 DIN
<b>KIPI SC</b>	ZSYKIPISC	Zennio KNX-IP Interface. KNX Secure	2 DIN
<b>IP Router CL</b>	ZSYIPRCL	KNX-IP Router interface	2 DIN
<b>ZMCoup RF 868</b>	ZRFMC868	KNX TP-RF media coupler (868 MHz)	Flush
<b>ZMCoup RF 915</b>	ZRFMC915	KNX TP-RF media coupler (915 MHz)	Flush

# Radiofrequency

Devices for the control through the KNX RF standard (868 / 915 MHz).

Product	Reference	Description	Frequency
<b>ZMCoup RF 868</b>	ZRFMC868	KNX TP-RF media coupler	868 MHz
<b>ZMCoup RF 915</b>	ZRFMC915	KNX TP-RF media coupler	915 MHz
<b>WinDoor RF</b>	ZRFWD	KNX RF door/window sensor	868 MHz
<b>WinDoor RF 915</b>	ZRFWD915	KNX RF door/window sensor	915 MHz
<b>EyeZen RF 868</b>	ZPDEZRF868	KNX RF motion sensor for ceiling mounting	868 MHz
<b>EyeZen RF 915</b>	ZPDEZRF915	KNX RF motion sensor for ceiling mounting	915 MHz

Find out more  
about our actuators  
in our website





All trademarks or right of any kind, registered names, logos or insignias, used or cited in this catalogue, are the sole property of their respective owners.

Product pictures may differ to the real product. Zennio reserves the right to change the pictures and product specifications in any moment without advanced notice.

***www.zennio.com***